

KAWASAKI Z1000 / Z1000SX

RACING EXHAUST SYSTEM

KAWASAKI Z1000 / Z1000SX

RACING EXHAUST SYSTEM

DESCRIPTION

Akrapovic Racing system is designed for riders who demand maximum performance from their motorcycle. System is almost 10 kg lighter, if compared to the stock exhaust system and feature exceptional production quality, hi-tech materials and of course increased engine performance combined with pure racing sound output. The Racing system uses stainless steel header tubes and link pipe. We offer titanium or carbon-fiber mufflers. System is not street legal and is designed for racing purpose. Racing exhaust systems are not compatible with Kawasaki side cases.

PERFORMANCE

Measurements of the Akrapovic RACING system on the KAWASAKI Z1000 / Z1000SX (without muffler insert):

Power & Torque: The power increase with the Akrapovic system is substantial, and can be seen from 5000 rpm right to the top of the range. At 10470 rpm we measured 140.3 HP, with a max. power increase of 16.2 HP at 10400 rpm. The system's effect on the torque and power curve is huge and strongest at midrange rpm. The main increase starts at around 2500 rpm and continues right into the over-rev range. All this will help you shave lap times and result in a much smoother ride.



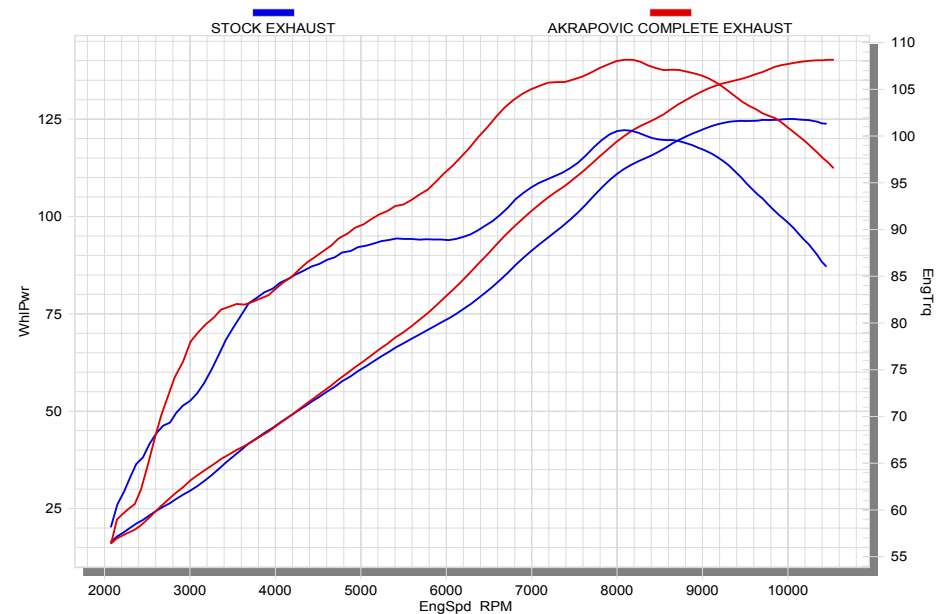
PERFORMANCE			
	stock	AKRAPOVIC	max. increased power
max. rear wheel power HP / rpm <small>(measured on SuperFlow Cyle Dyn)</small>	125/10000	140.3/10470	16.2/10400

ADDITIONAL DATA					
weight comparison (kg)	stock	AKRAPOVIC		difference	
	14.85	RACING	EVOLUTION	stock - RACING	stock - EVOLUTION
		5.0	-	9.85	-

noise measurements (dB / rpm)	stock	AKRAPOVIC
		92/4800
legal for street use	NO	

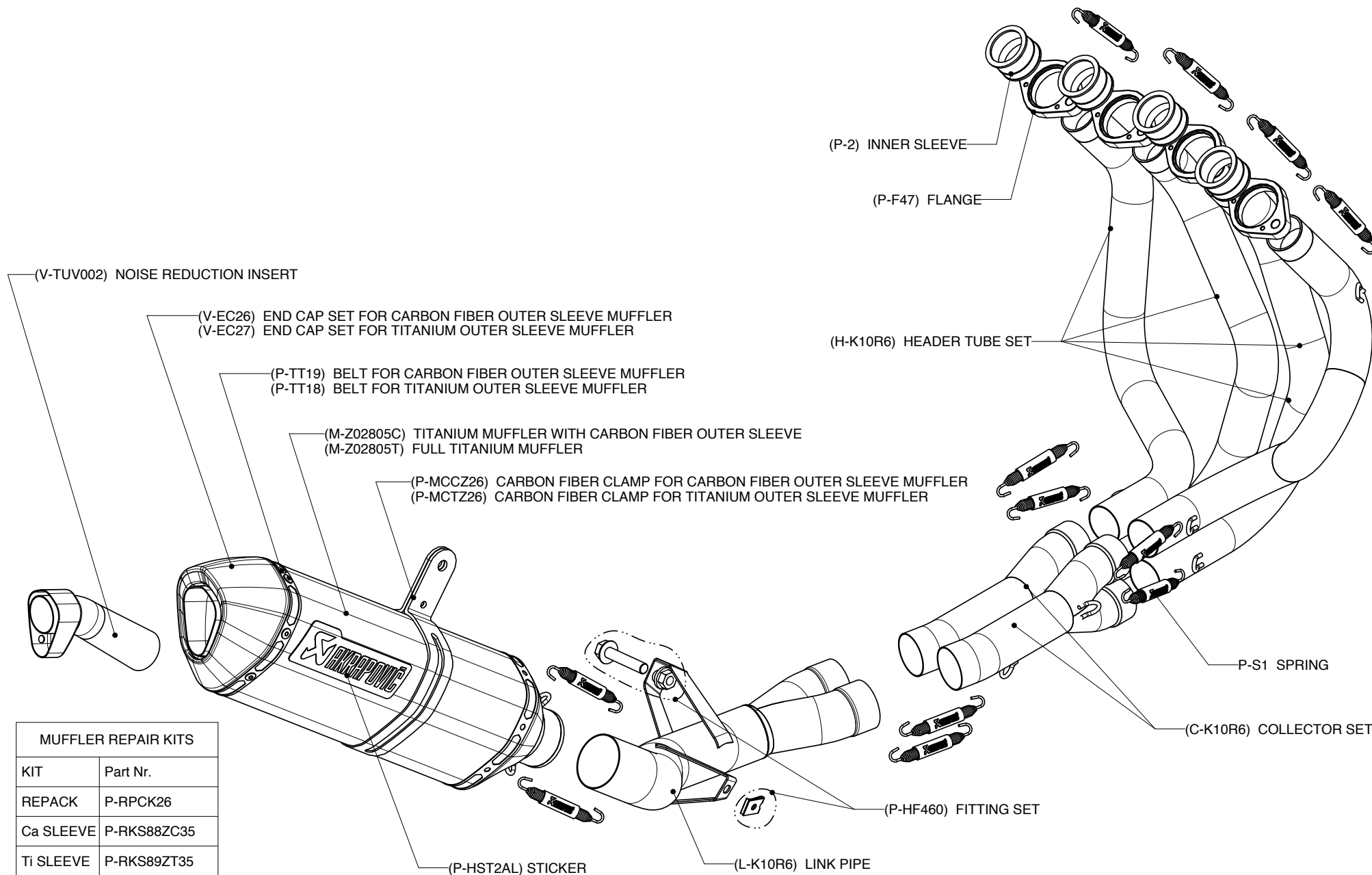
Technical specifications of Akrapovic exhaust systems and related products subject to change without notice.

Product code: S-K10R6-ZC, S-K10R6-ZT



www.akrapovic.com

Akrapovic d.d. 2010 all rights reserved
10.12.2010



MUFFLER REPAIR KITS	
KIT	Part Nr.
REPACK	P-RPCK26
Ca SLEEVE	P-RKS88ZC35
Ti SLEEVE	P-RKS89ZT35