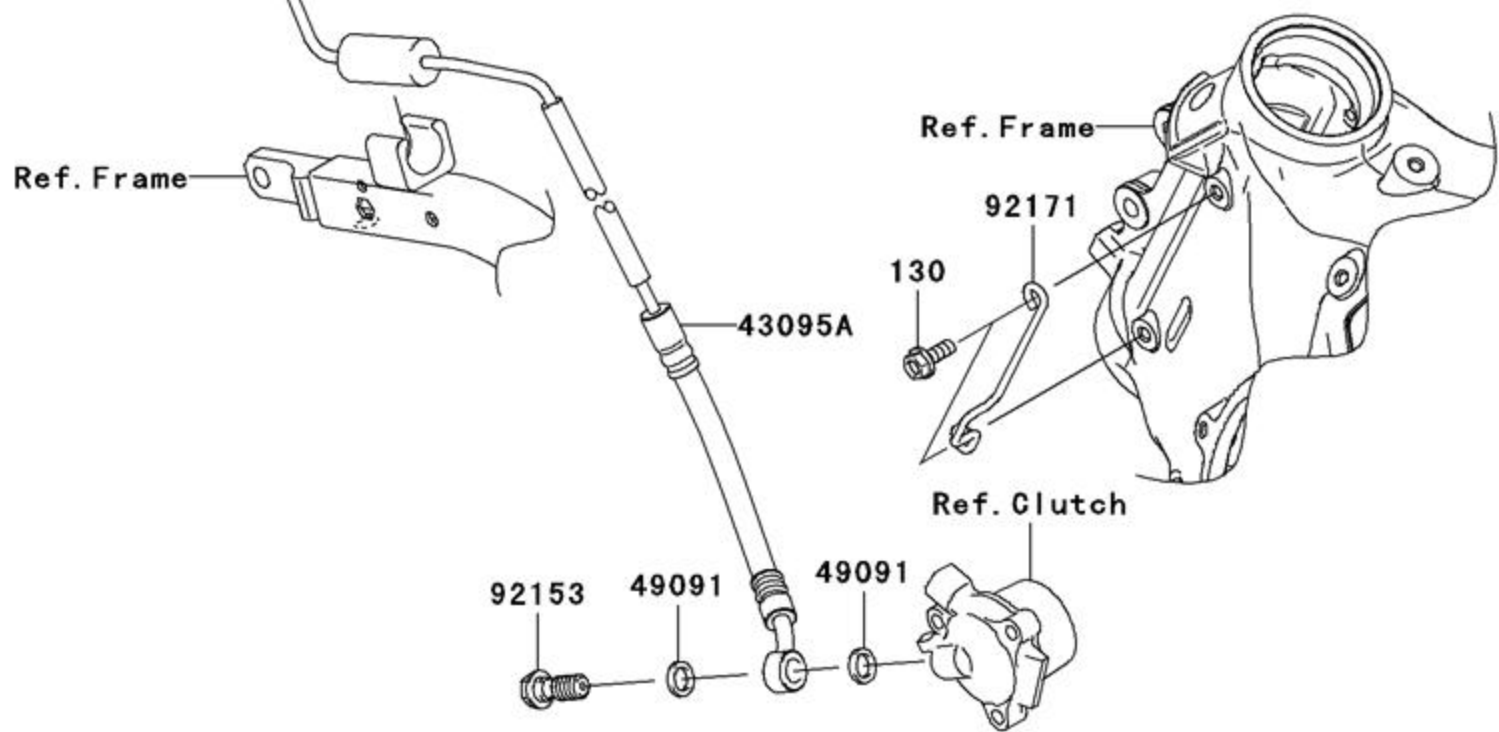
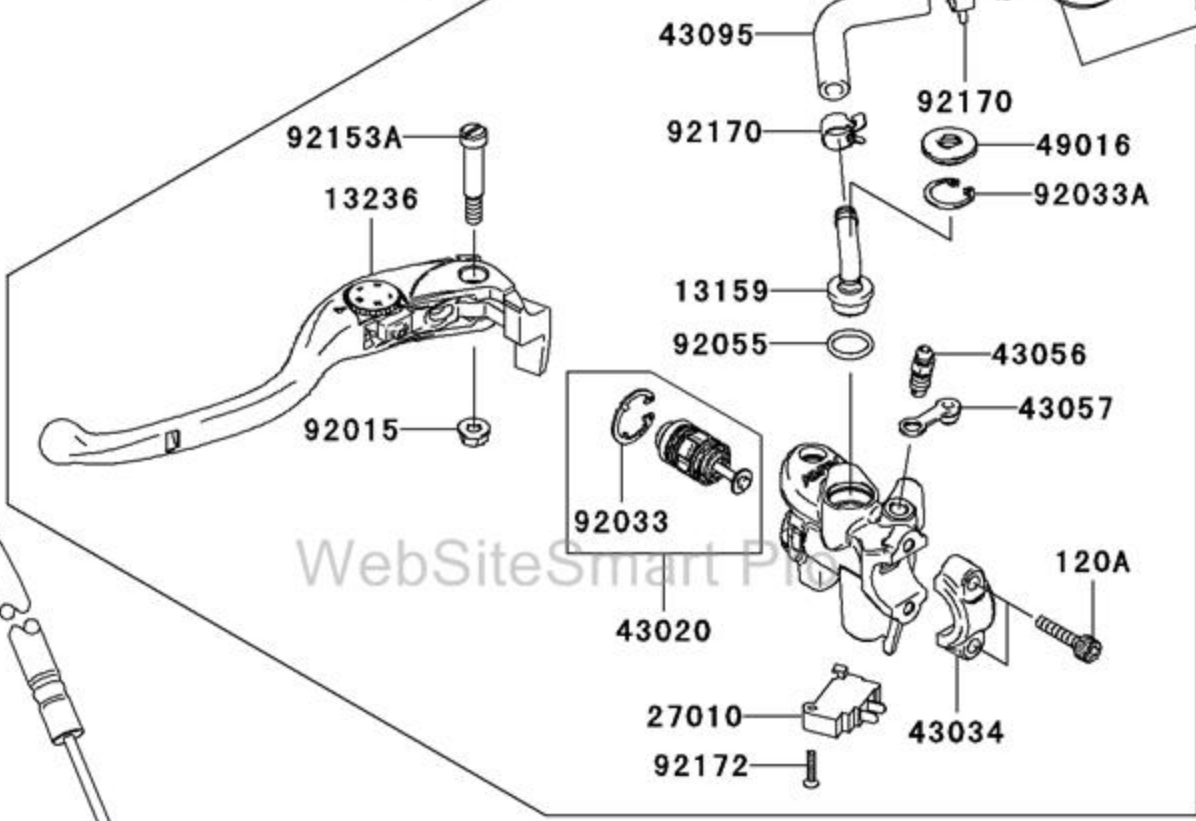
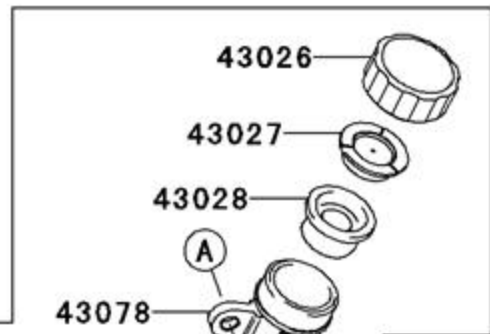
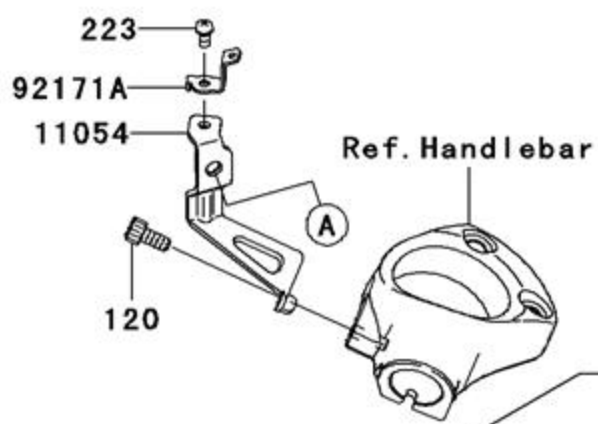
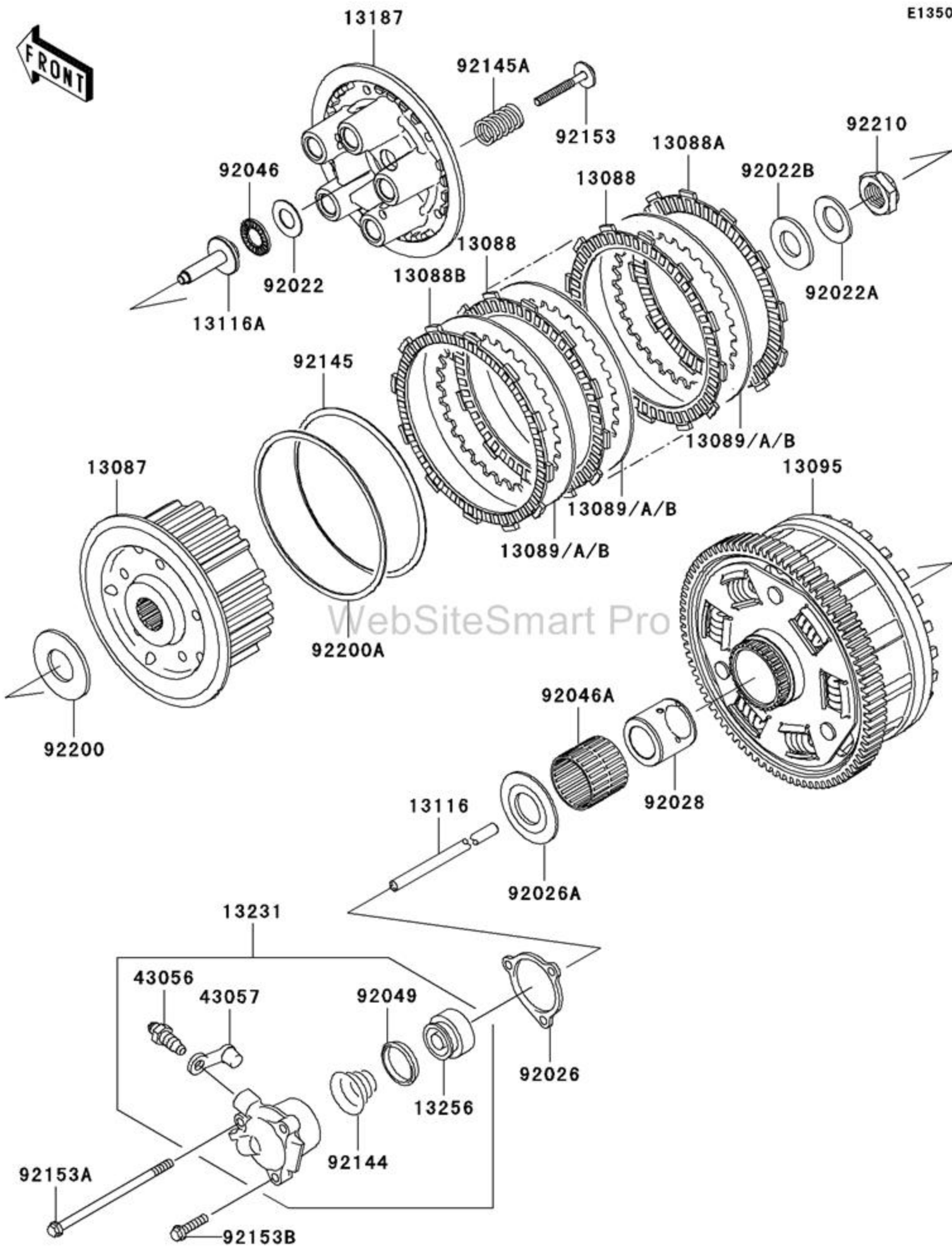
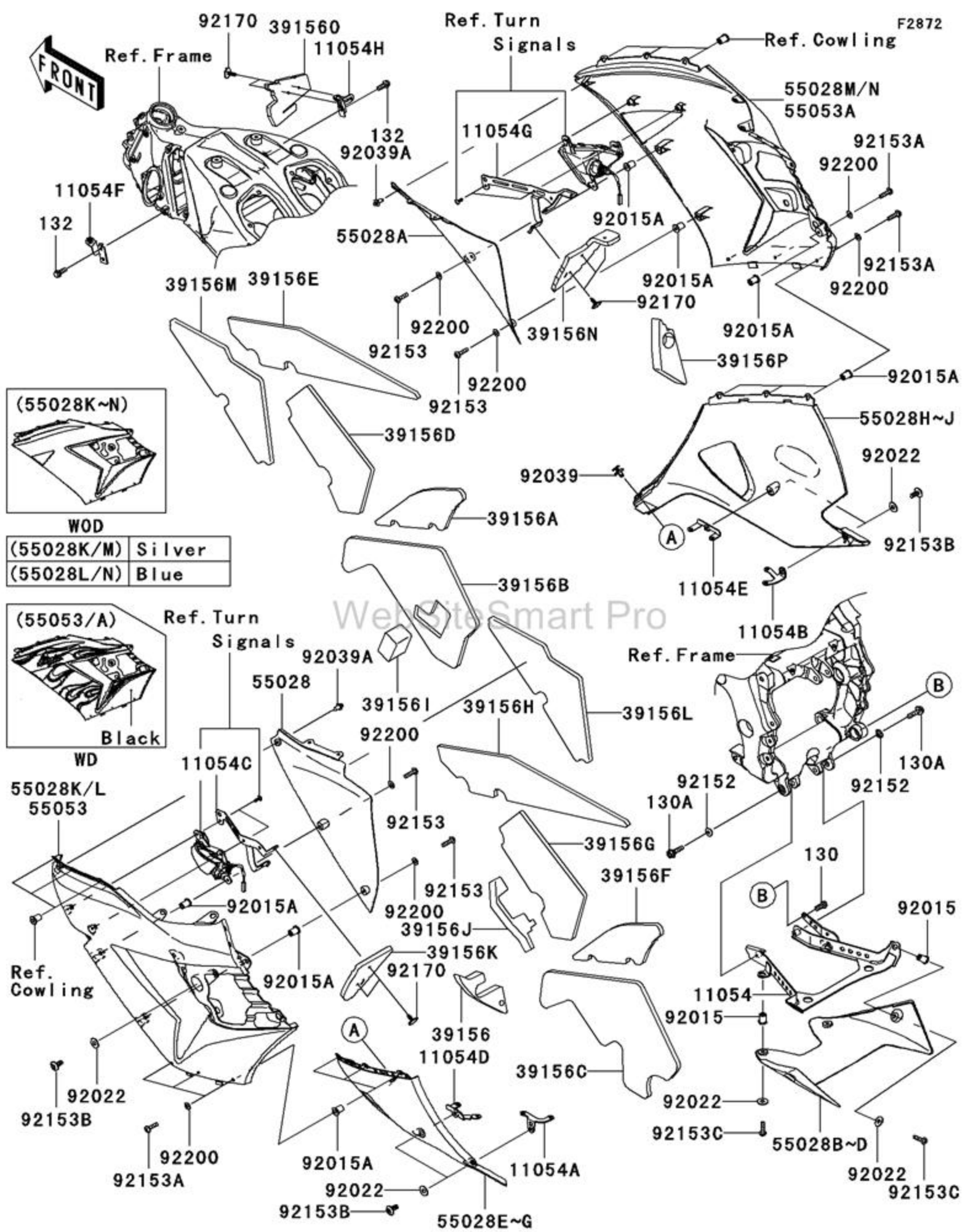


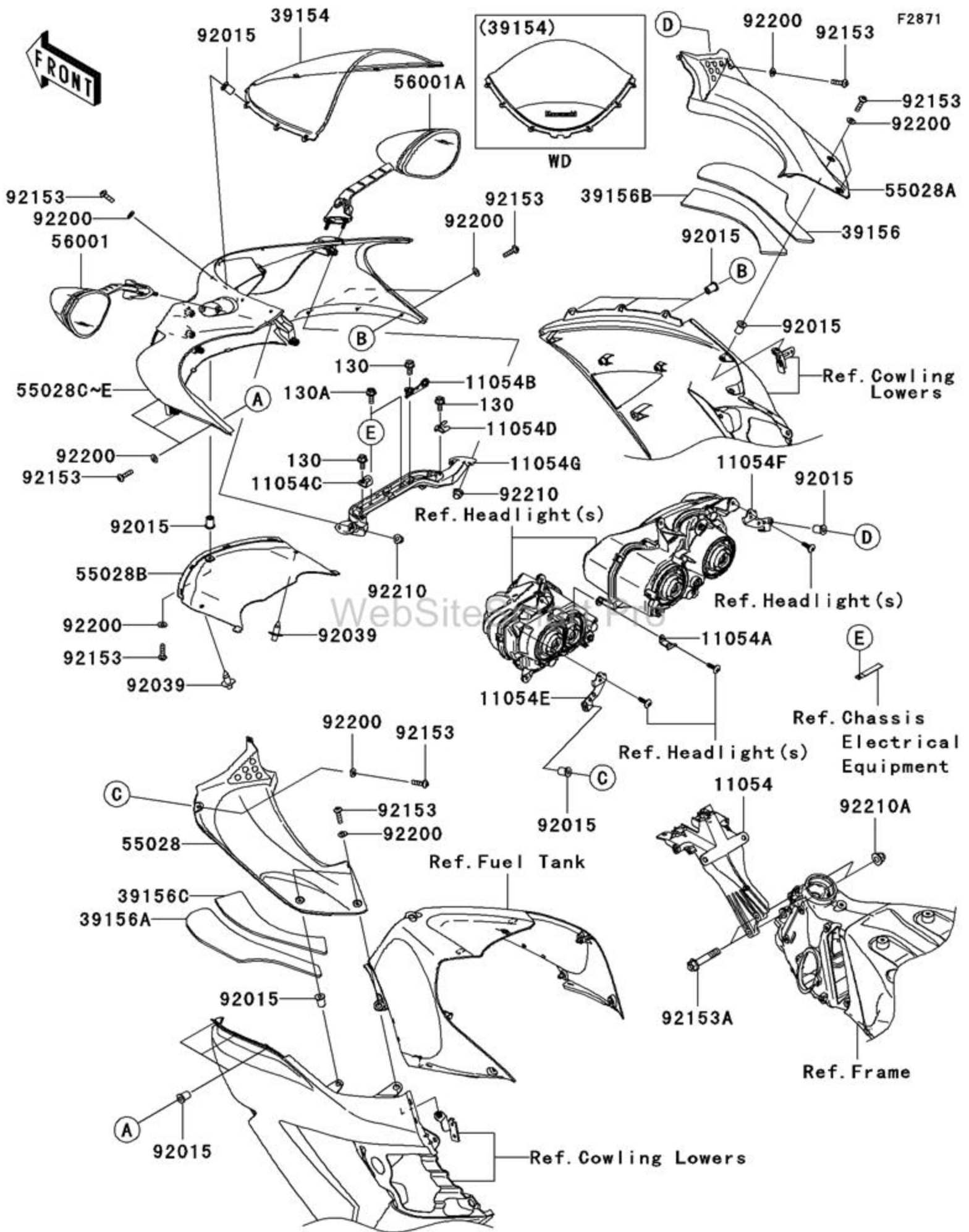
F2380

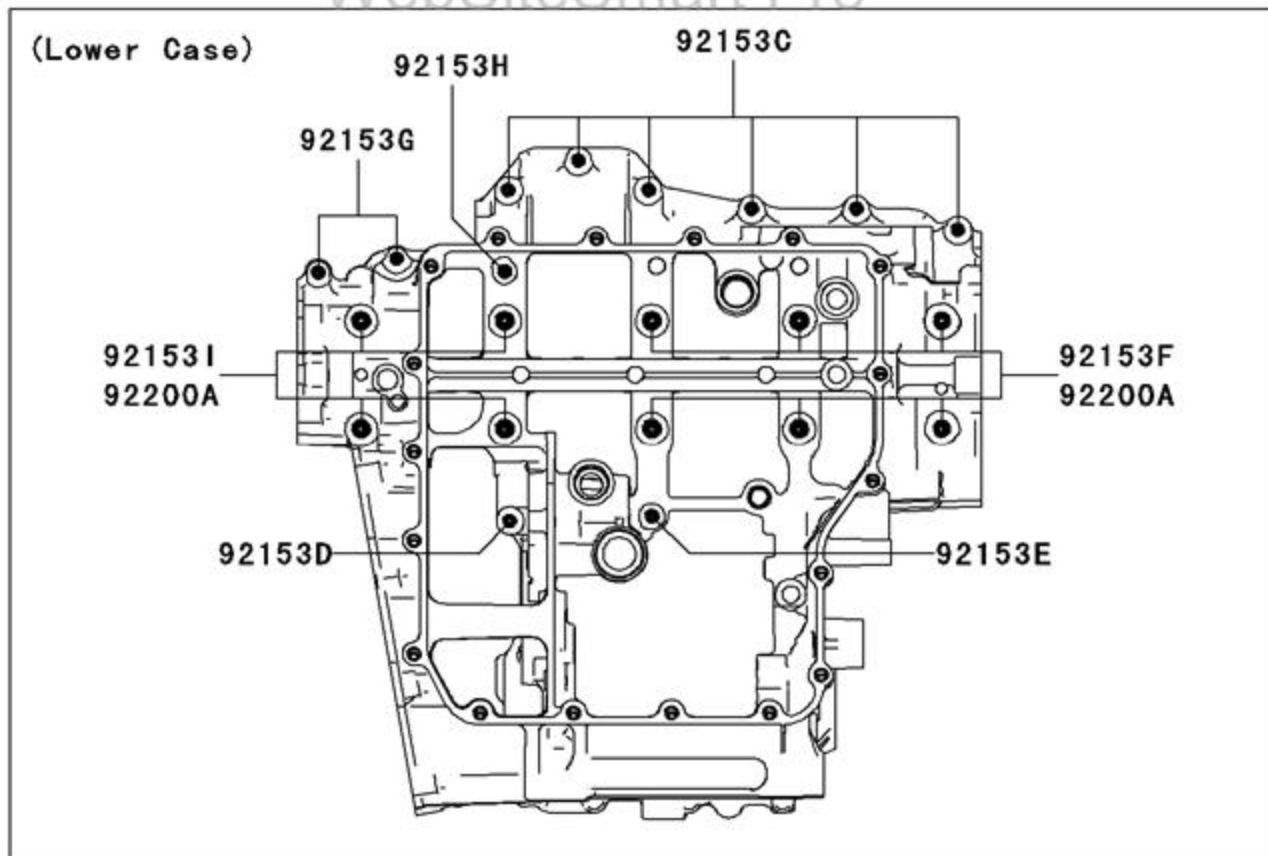
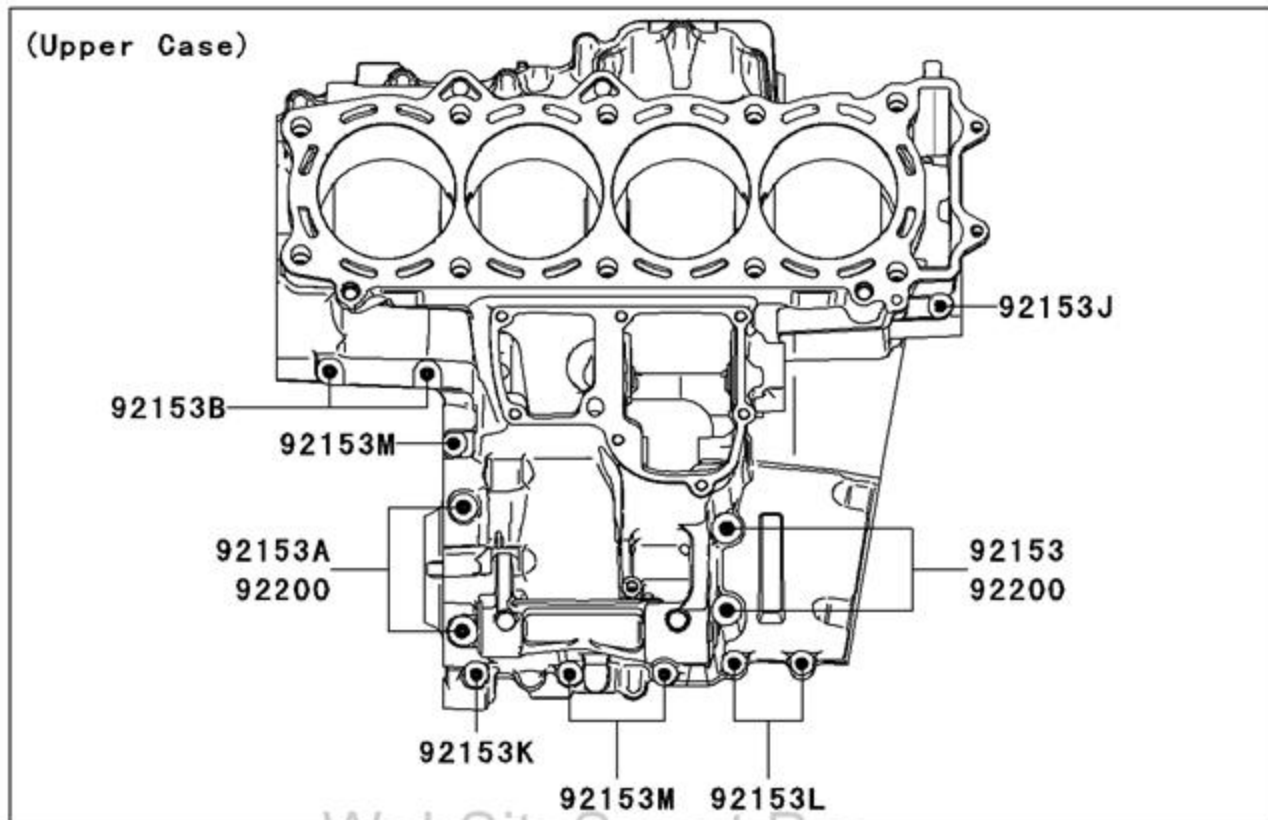


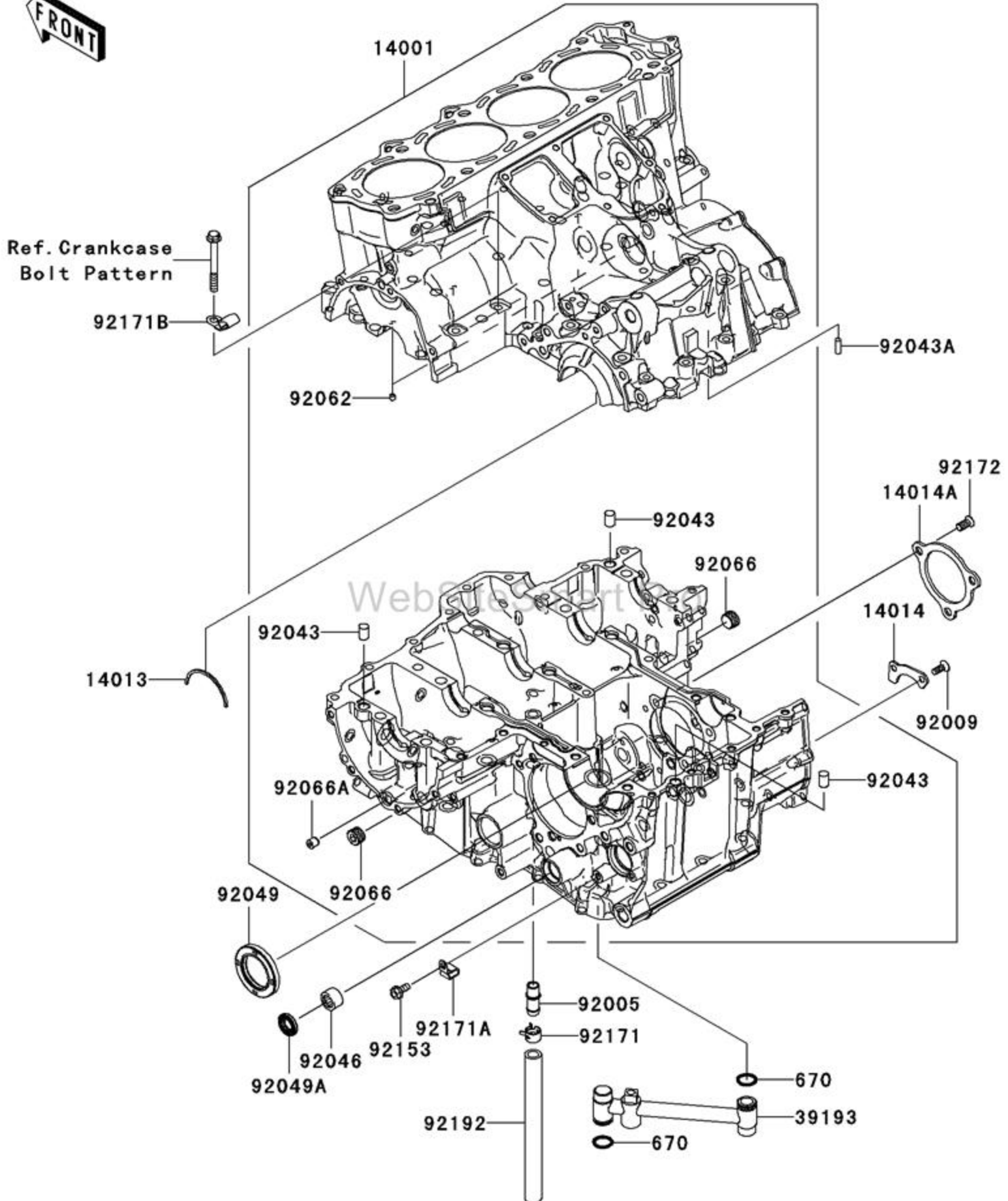


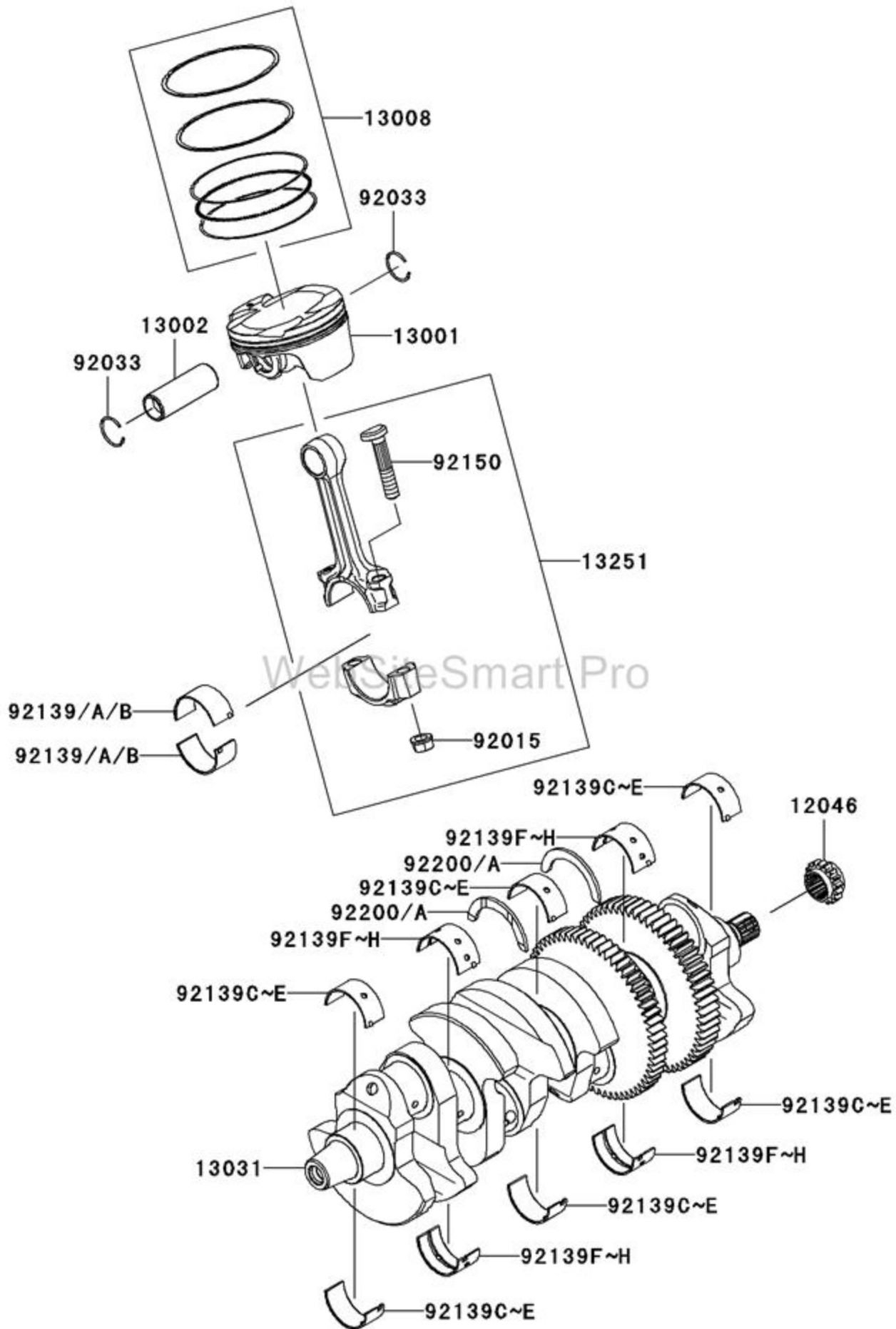


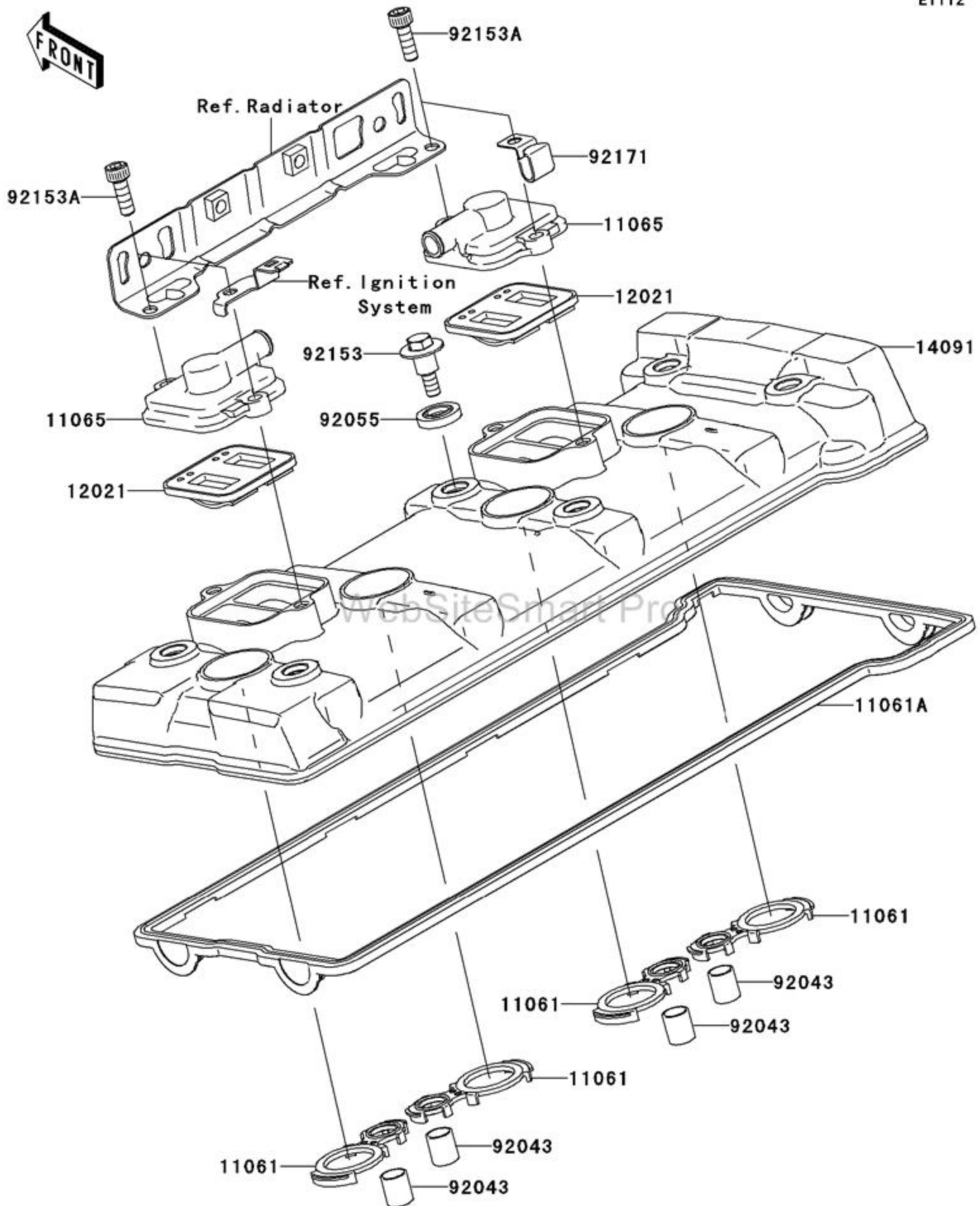


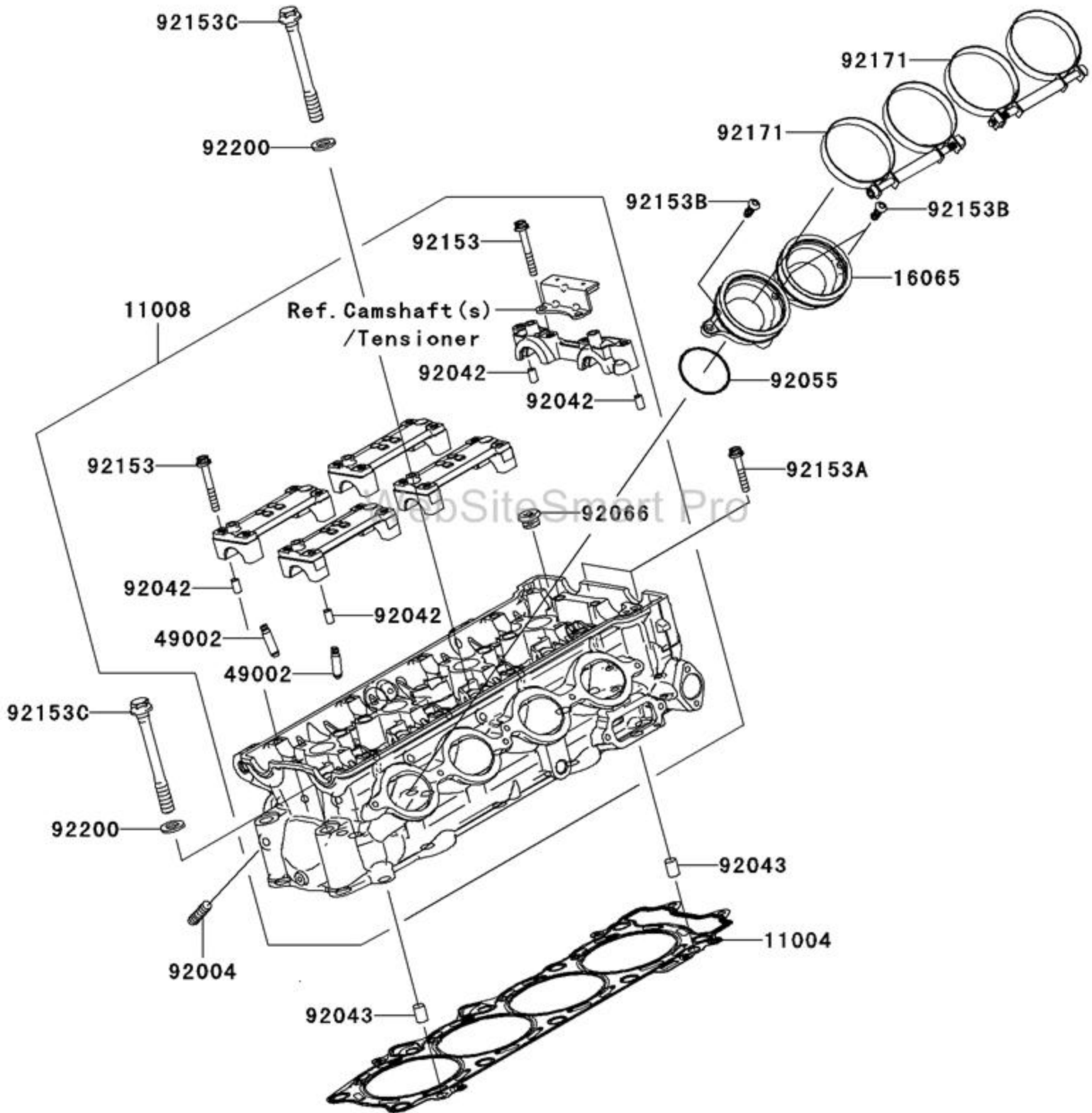




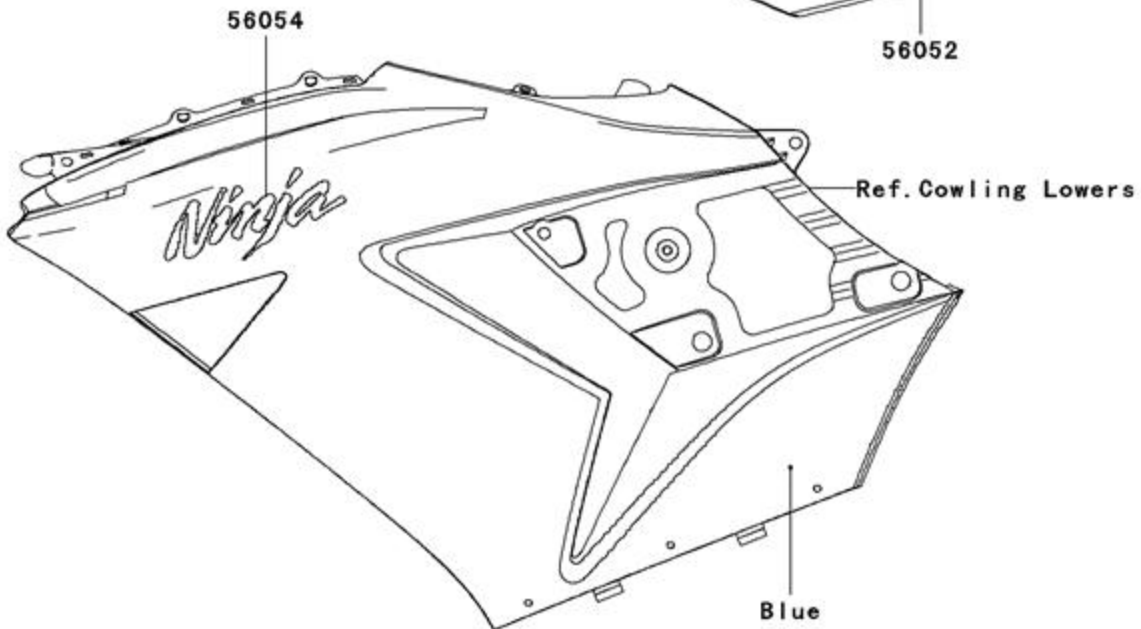
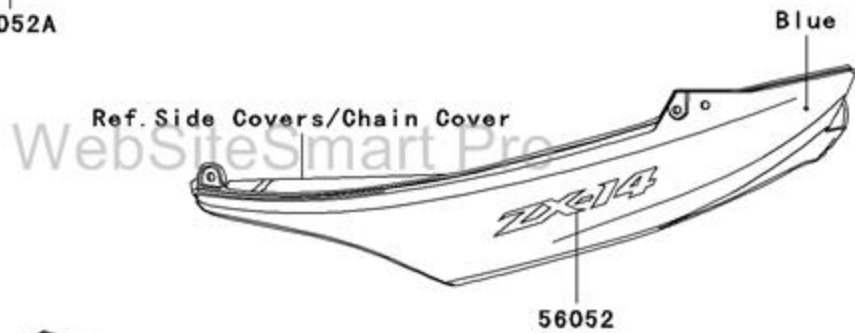
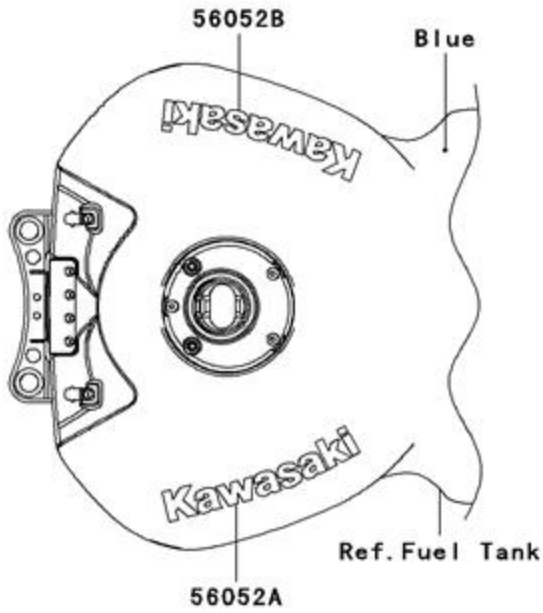


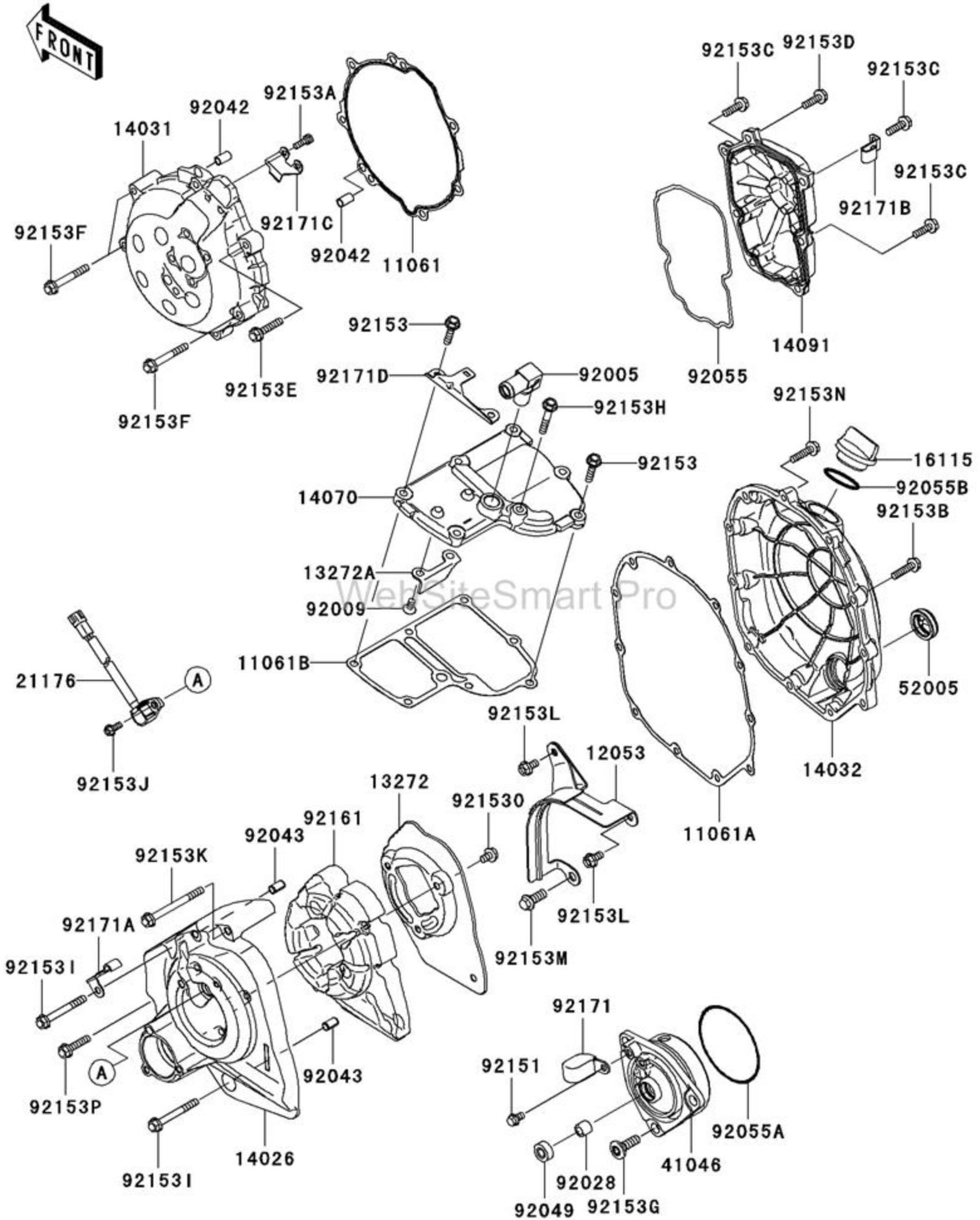


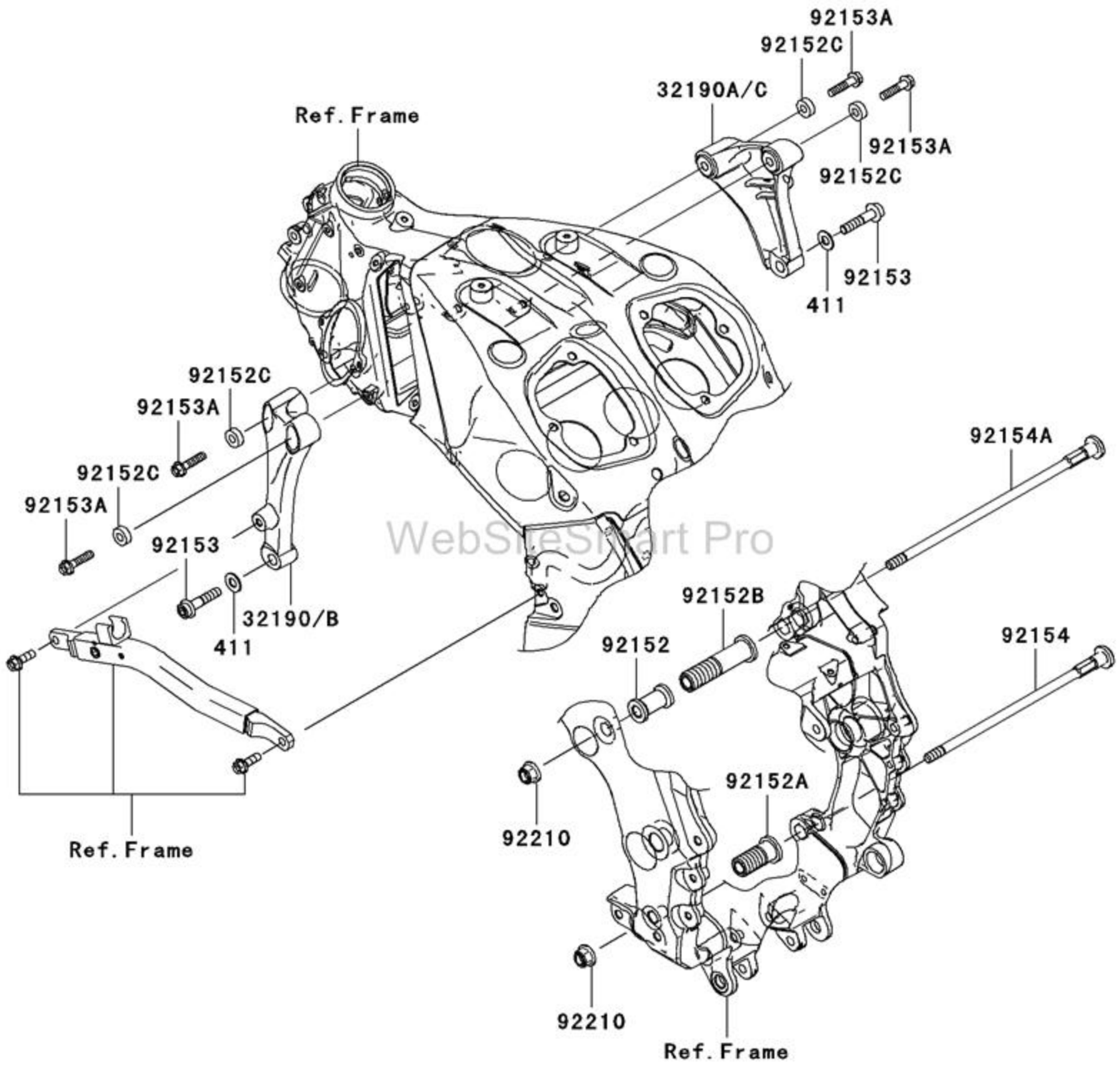


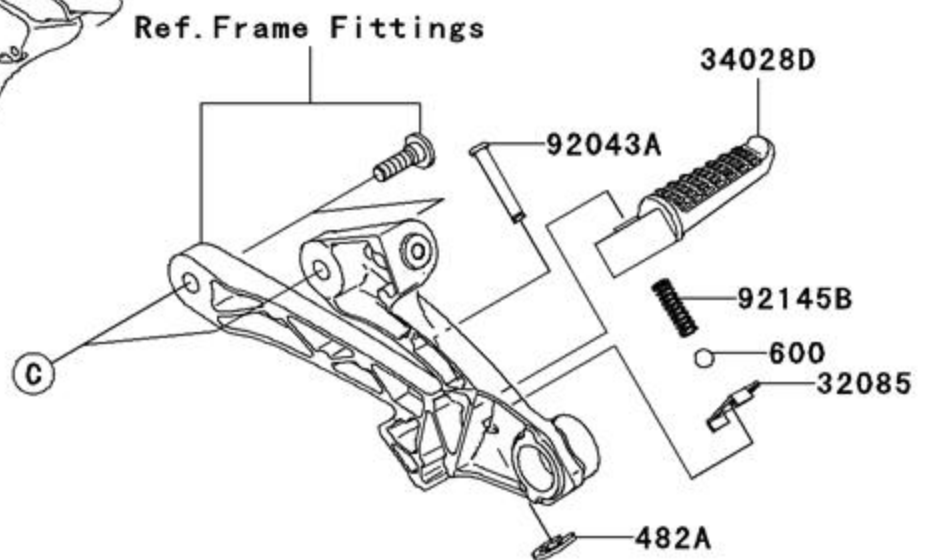
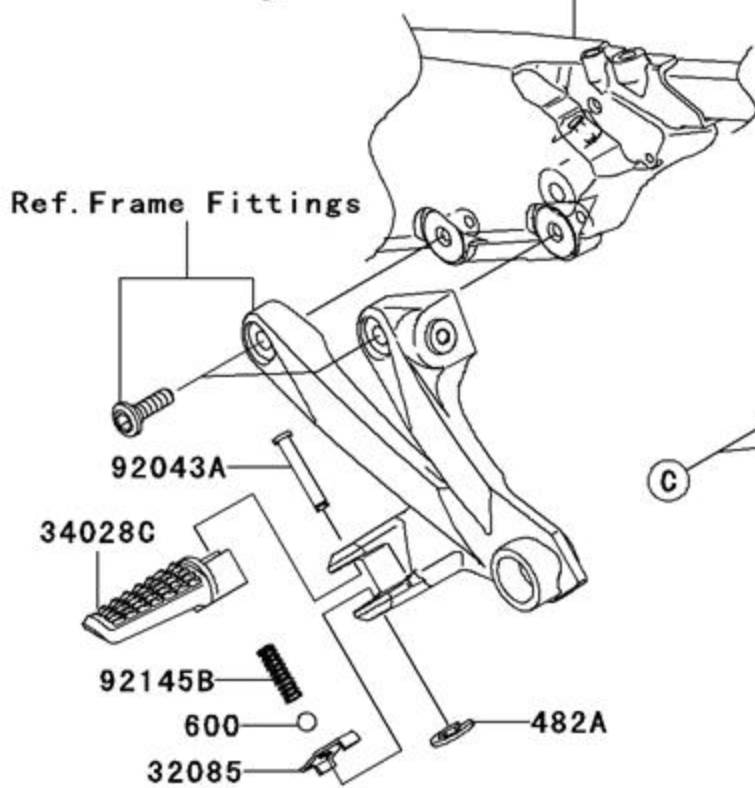
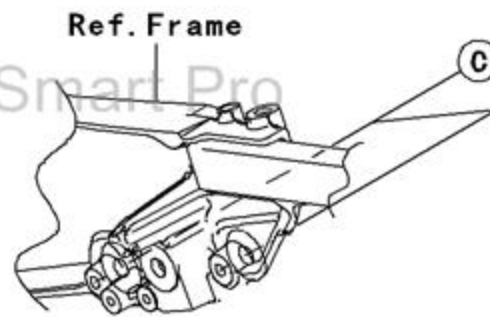
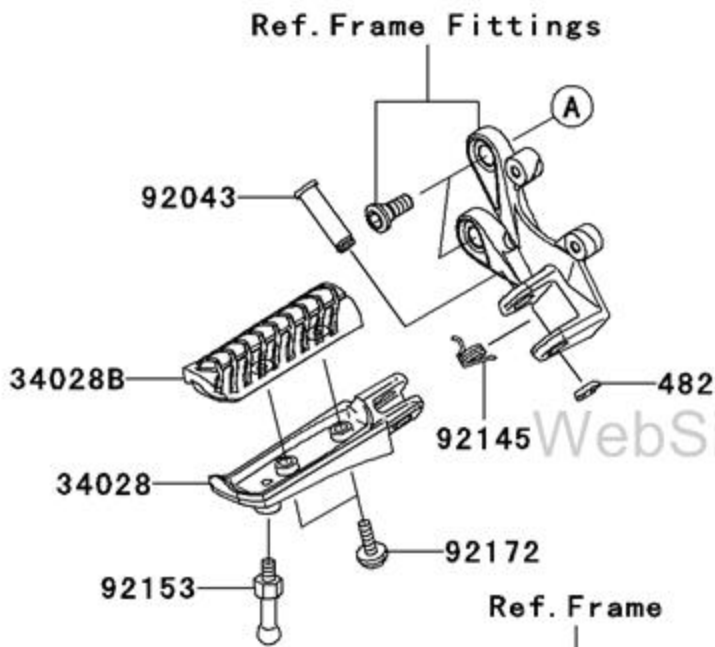
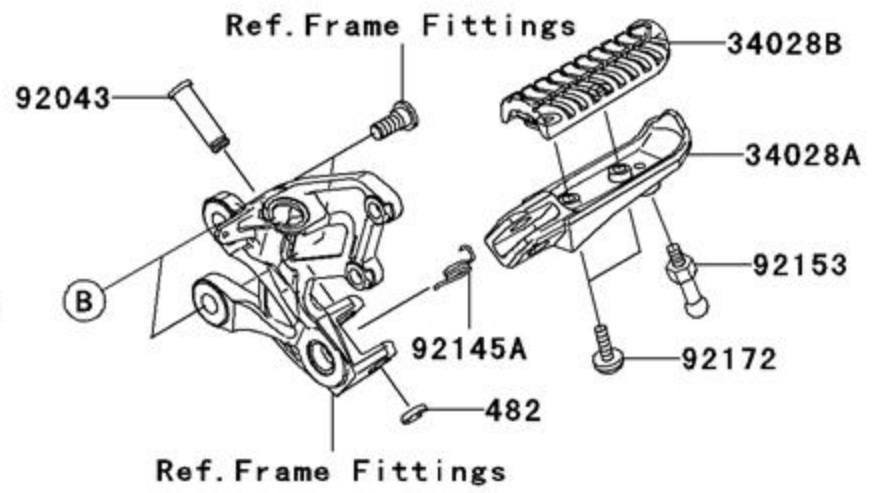
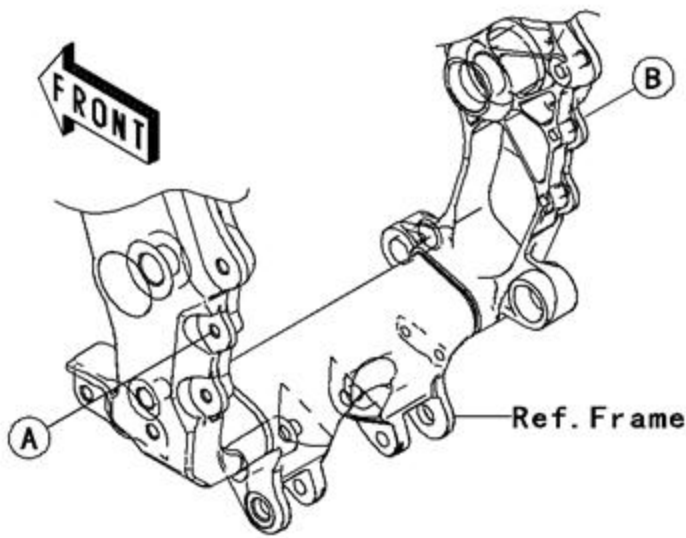


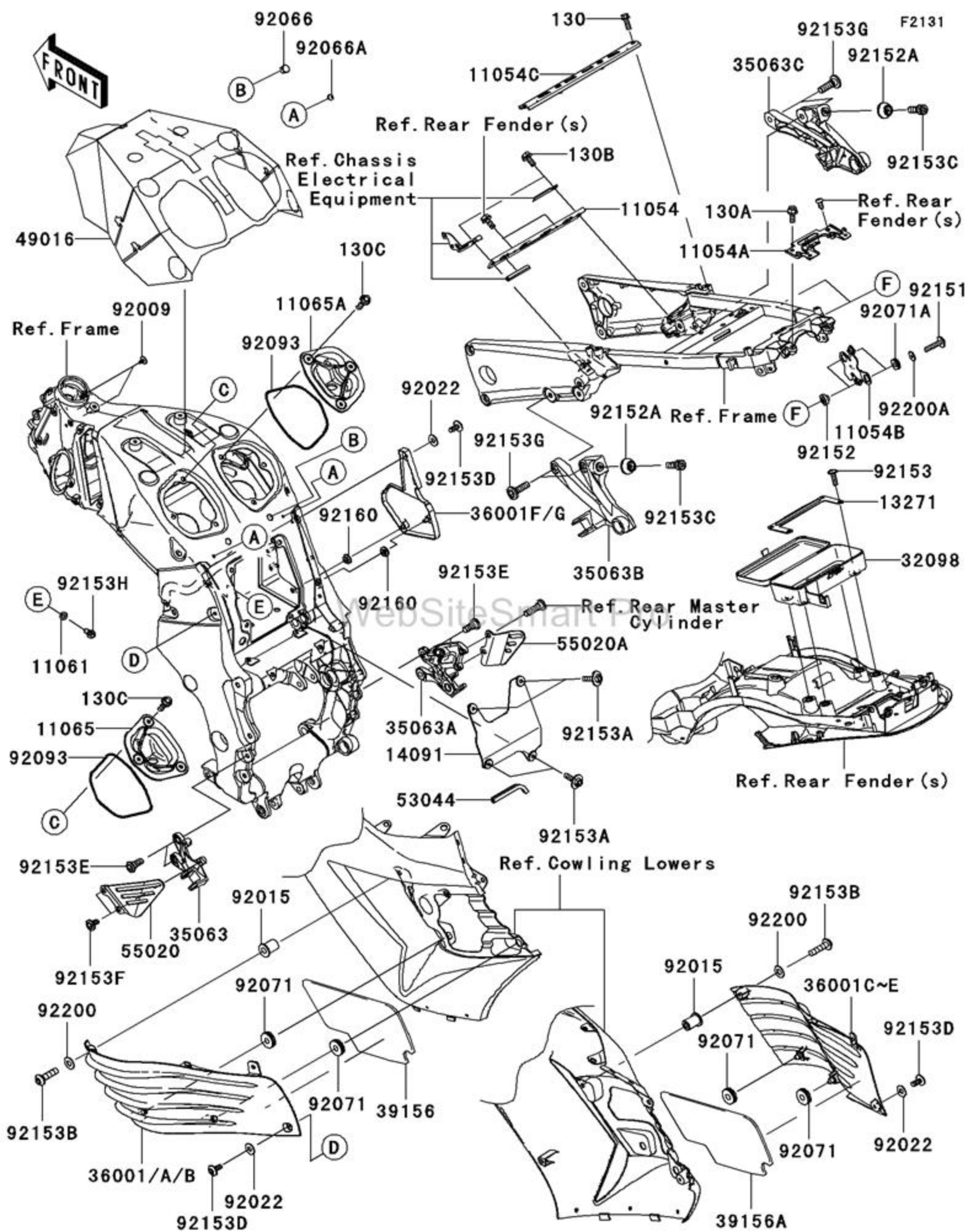


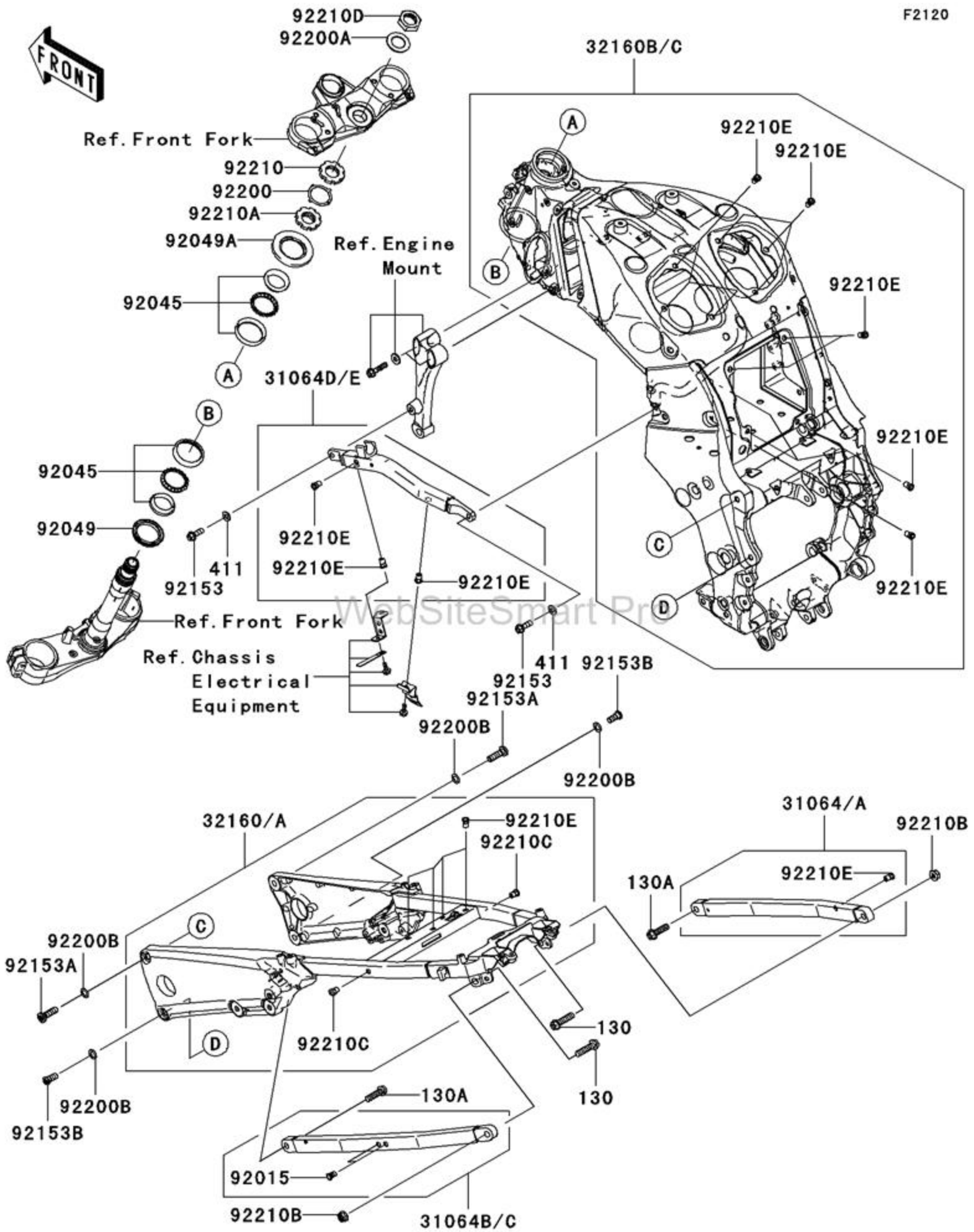










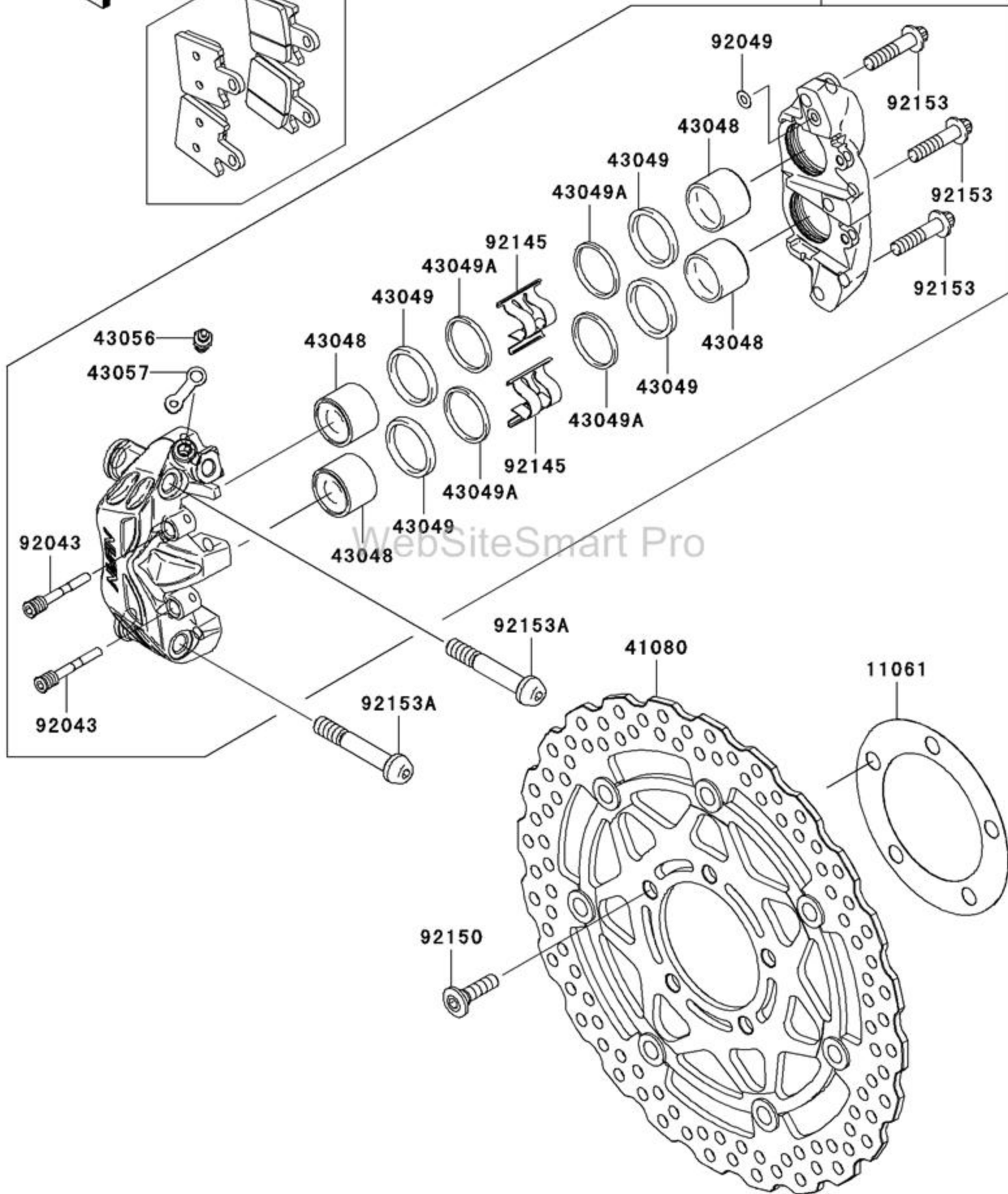
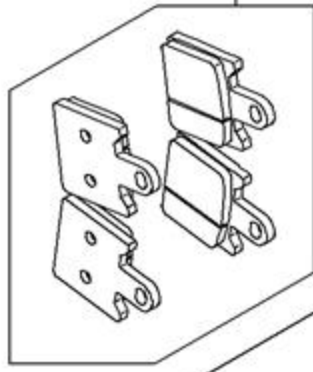


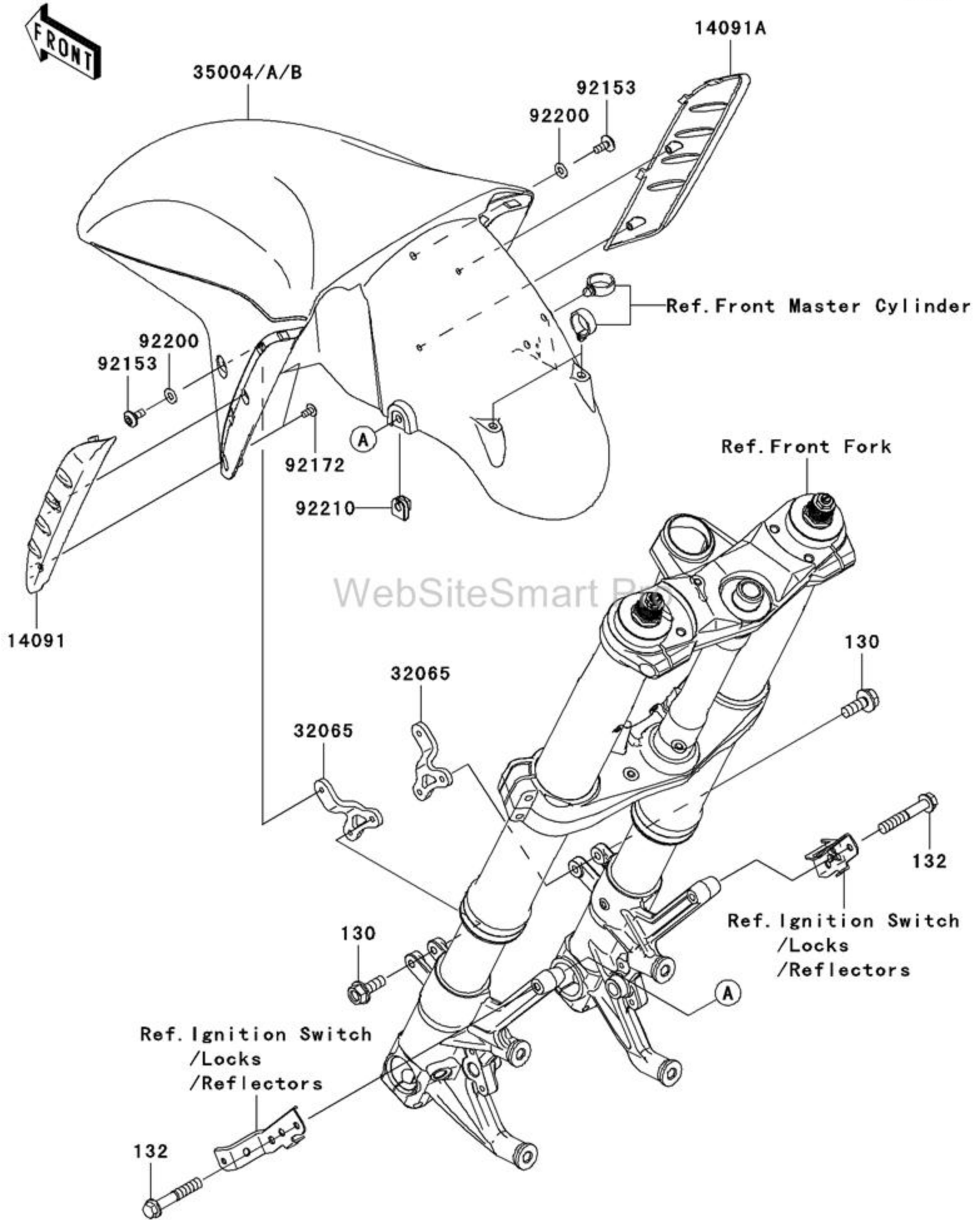
(RH)	(43080)
(LH)	(43080A)

43080/A

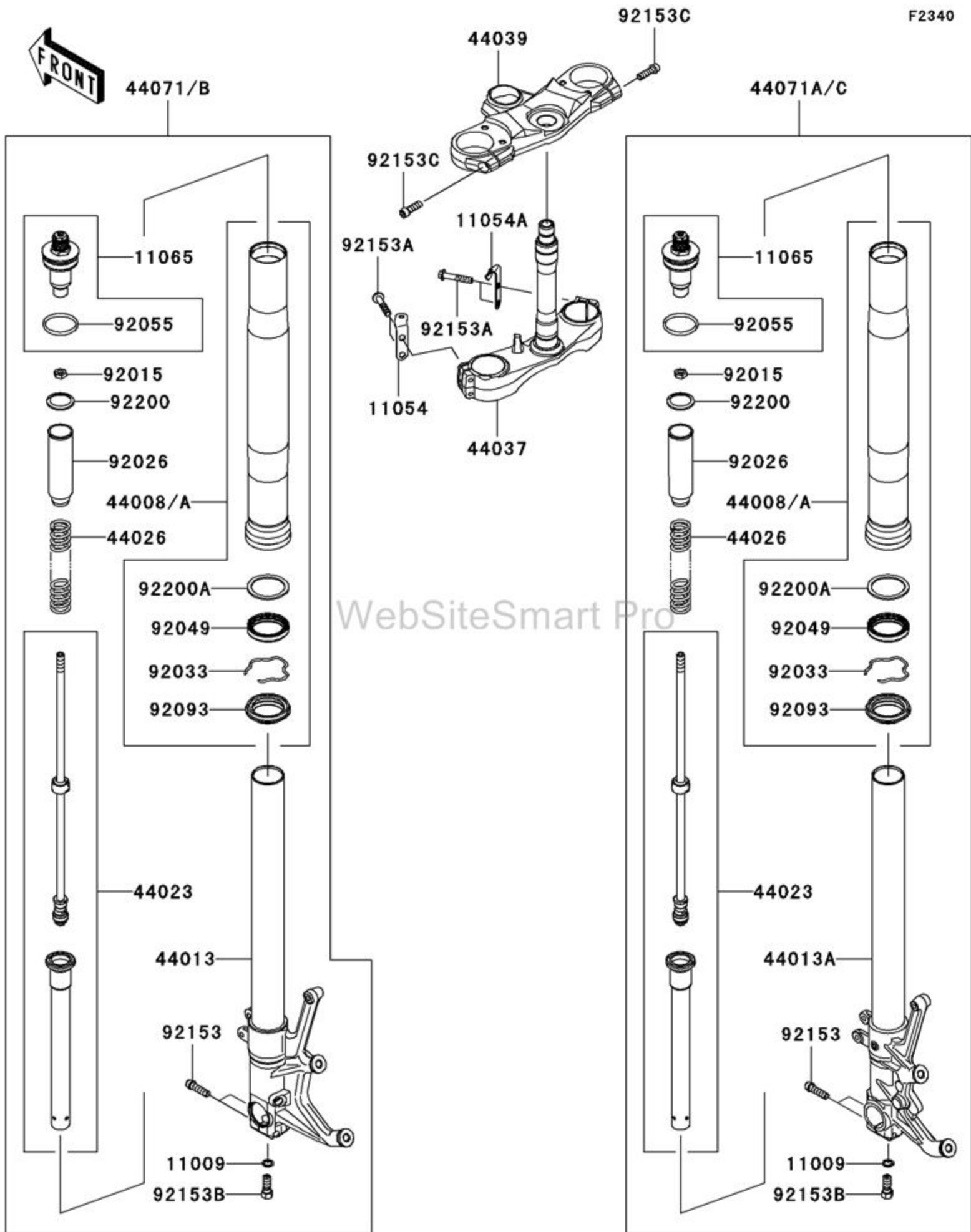


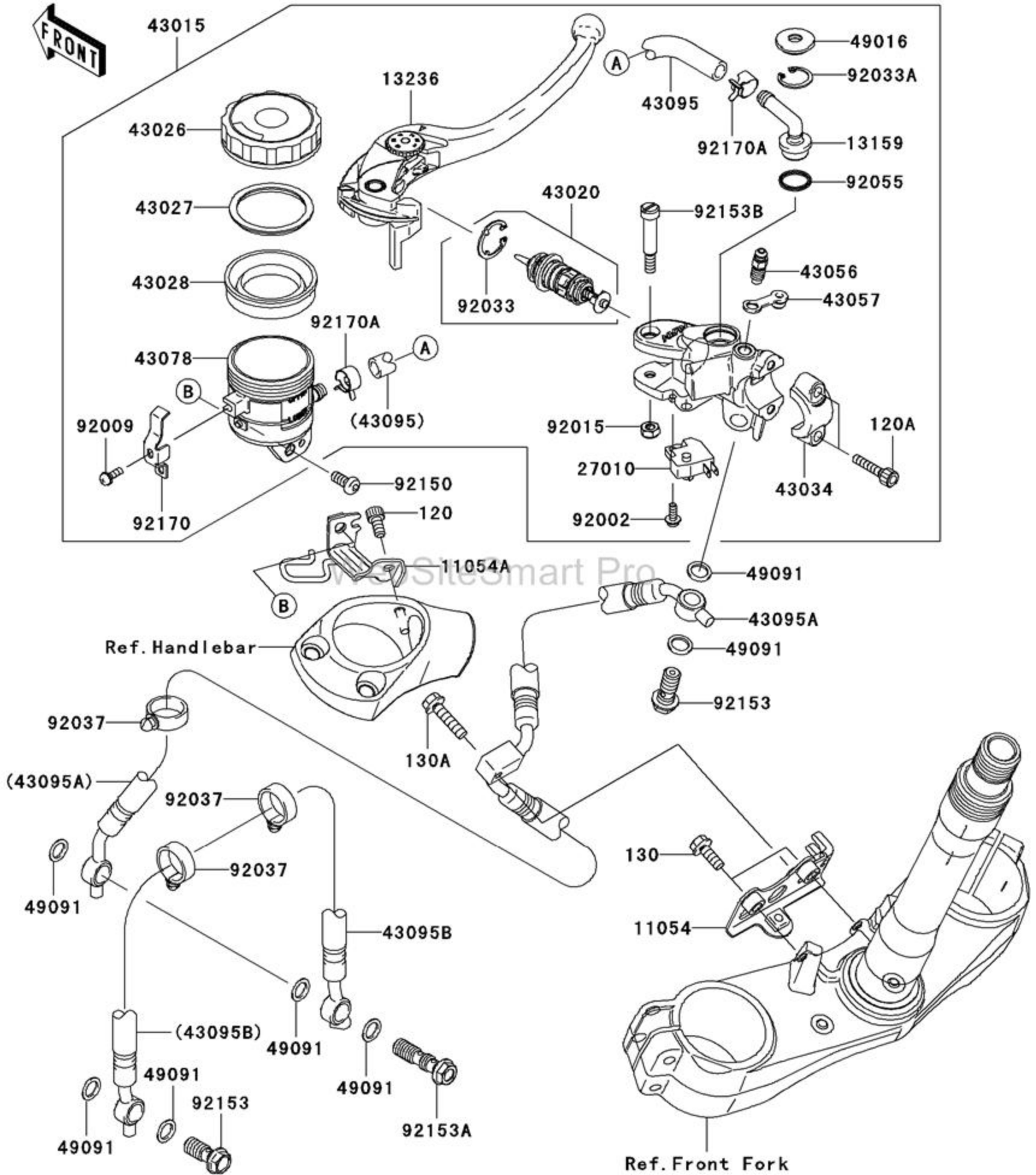
43082







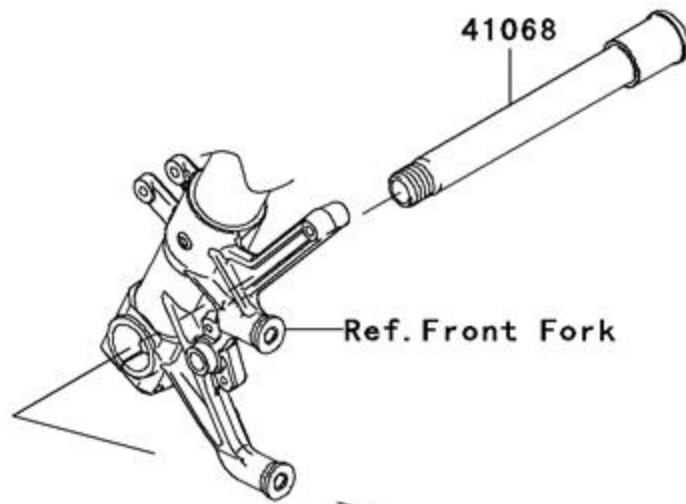




**FRONT**

F2230

41068



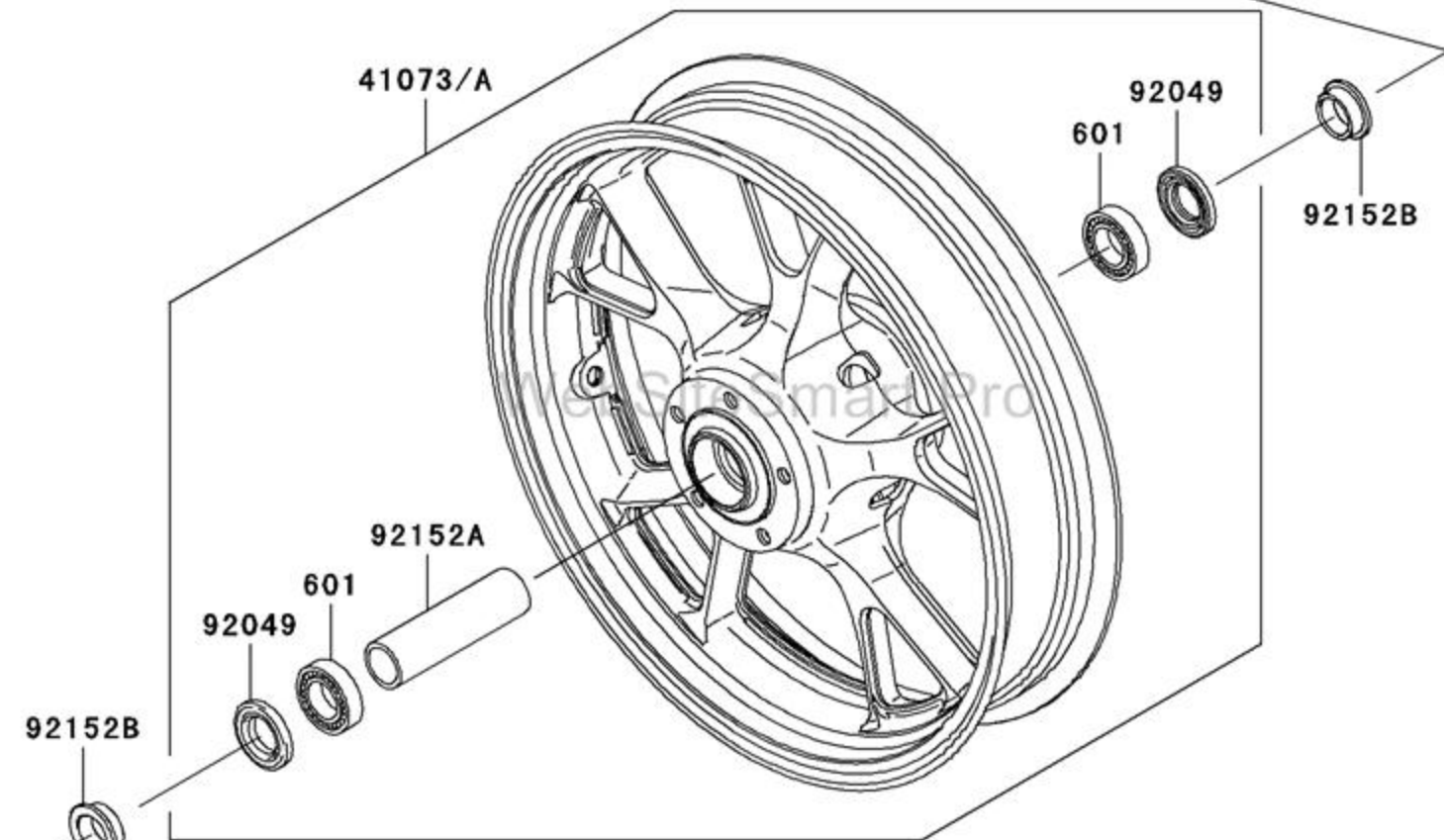
Ref. Front Fork

41073/A

92049

601

92152B



92049

601

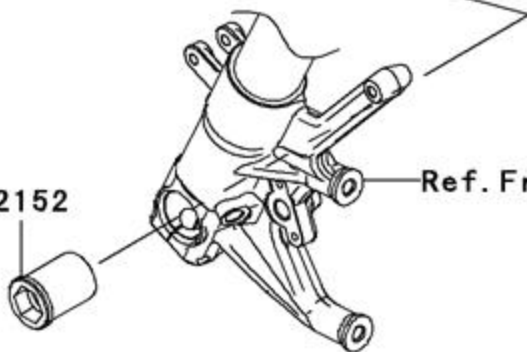
92152A

92152B

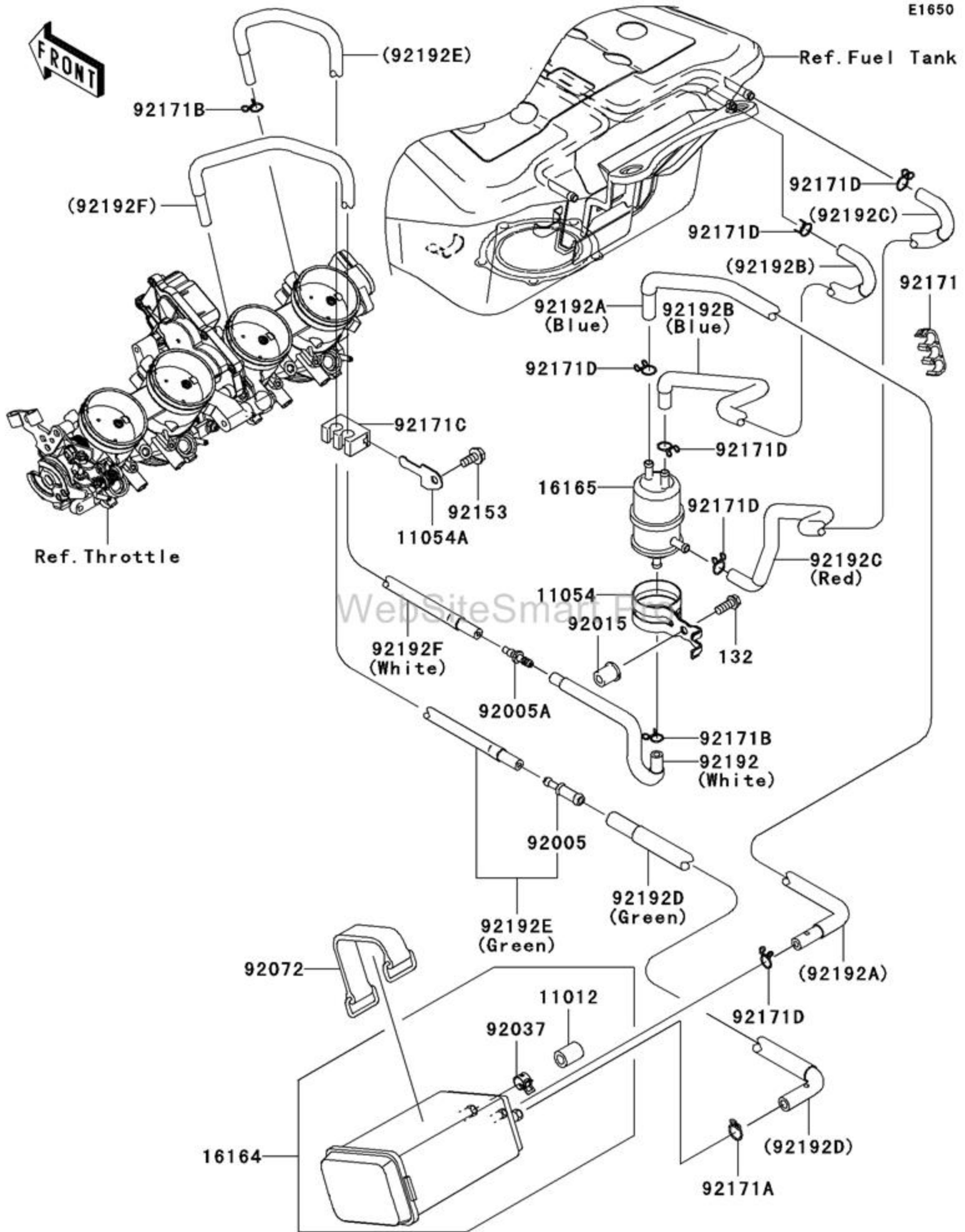


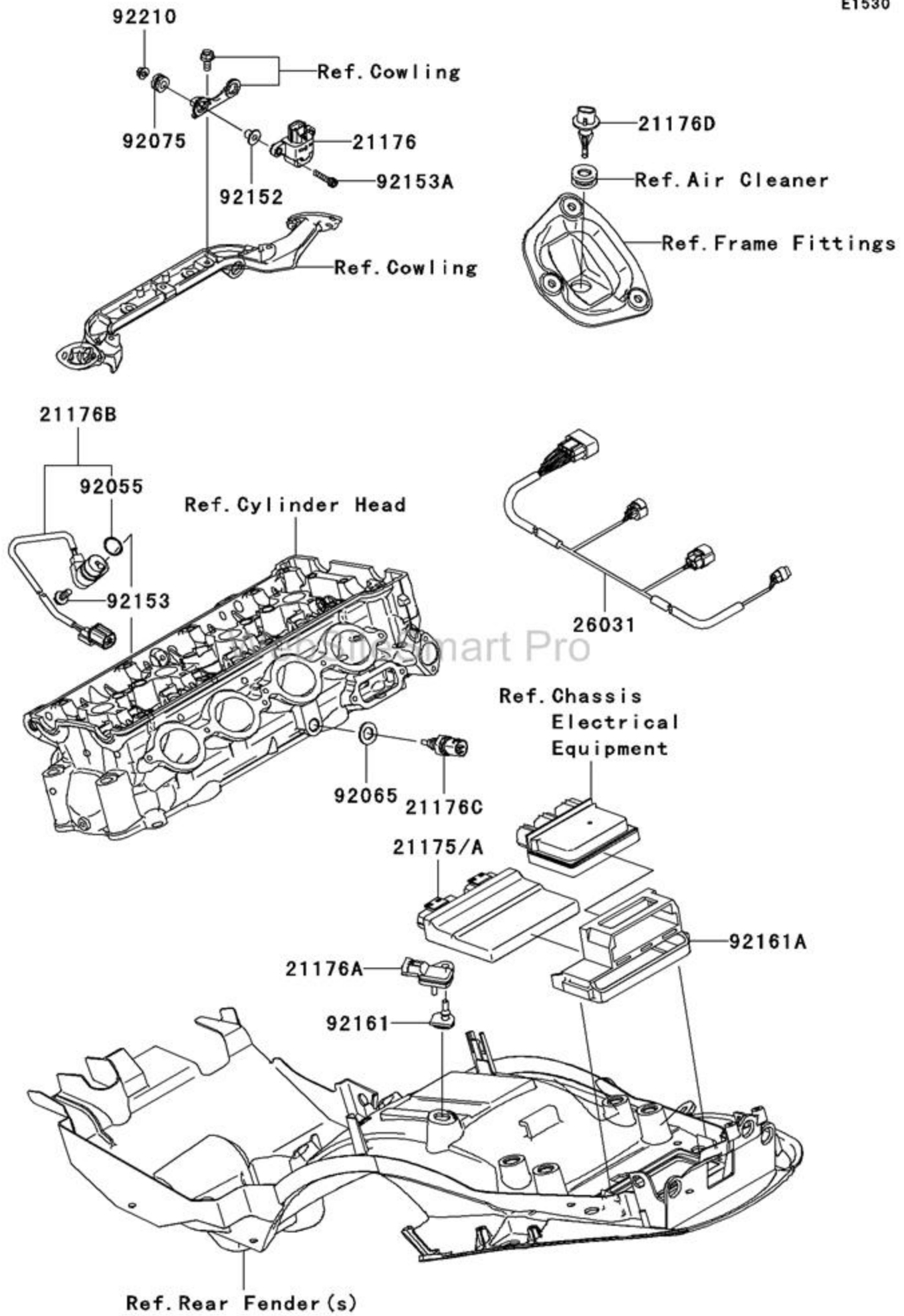
Ref. Tires

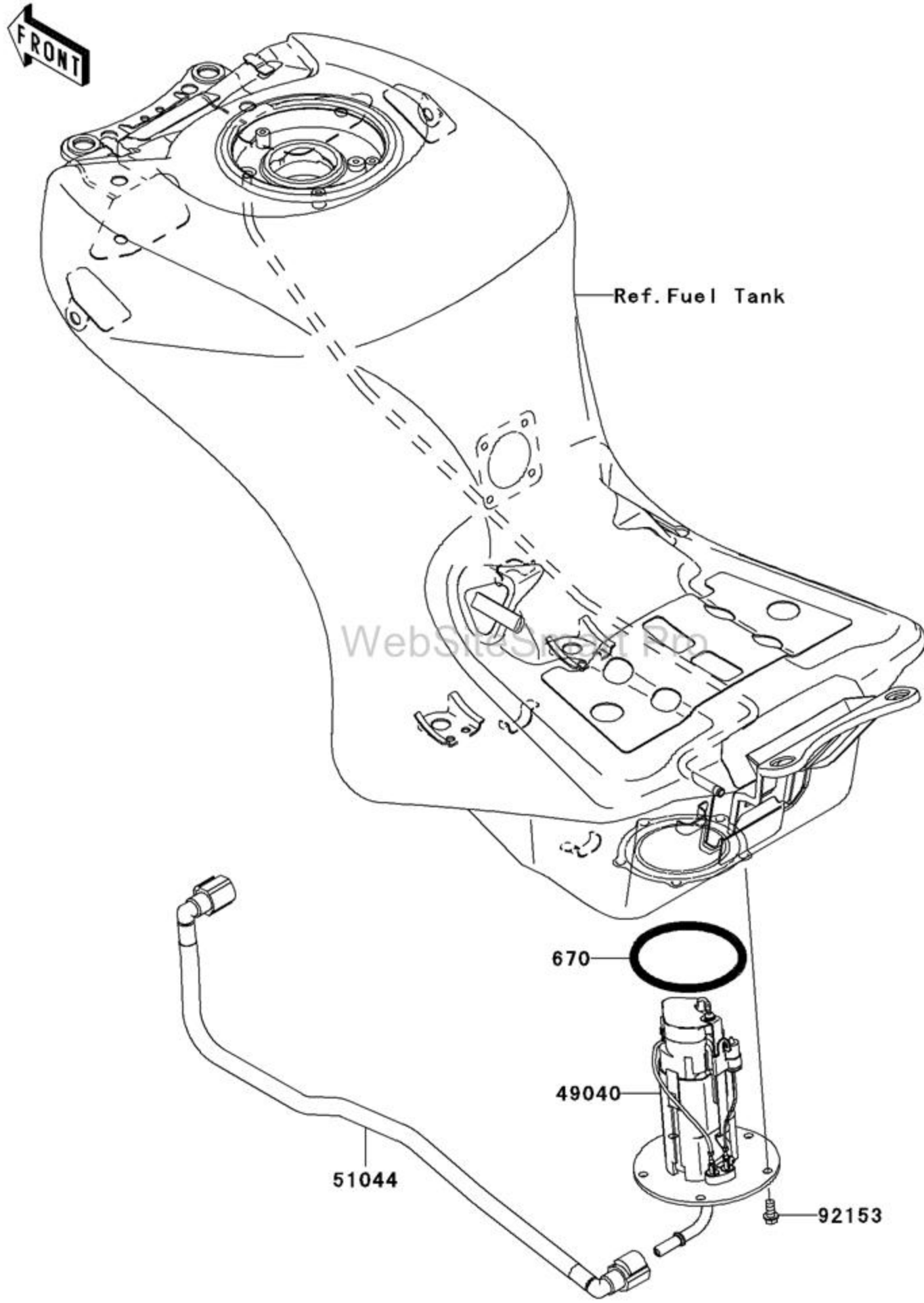
92152

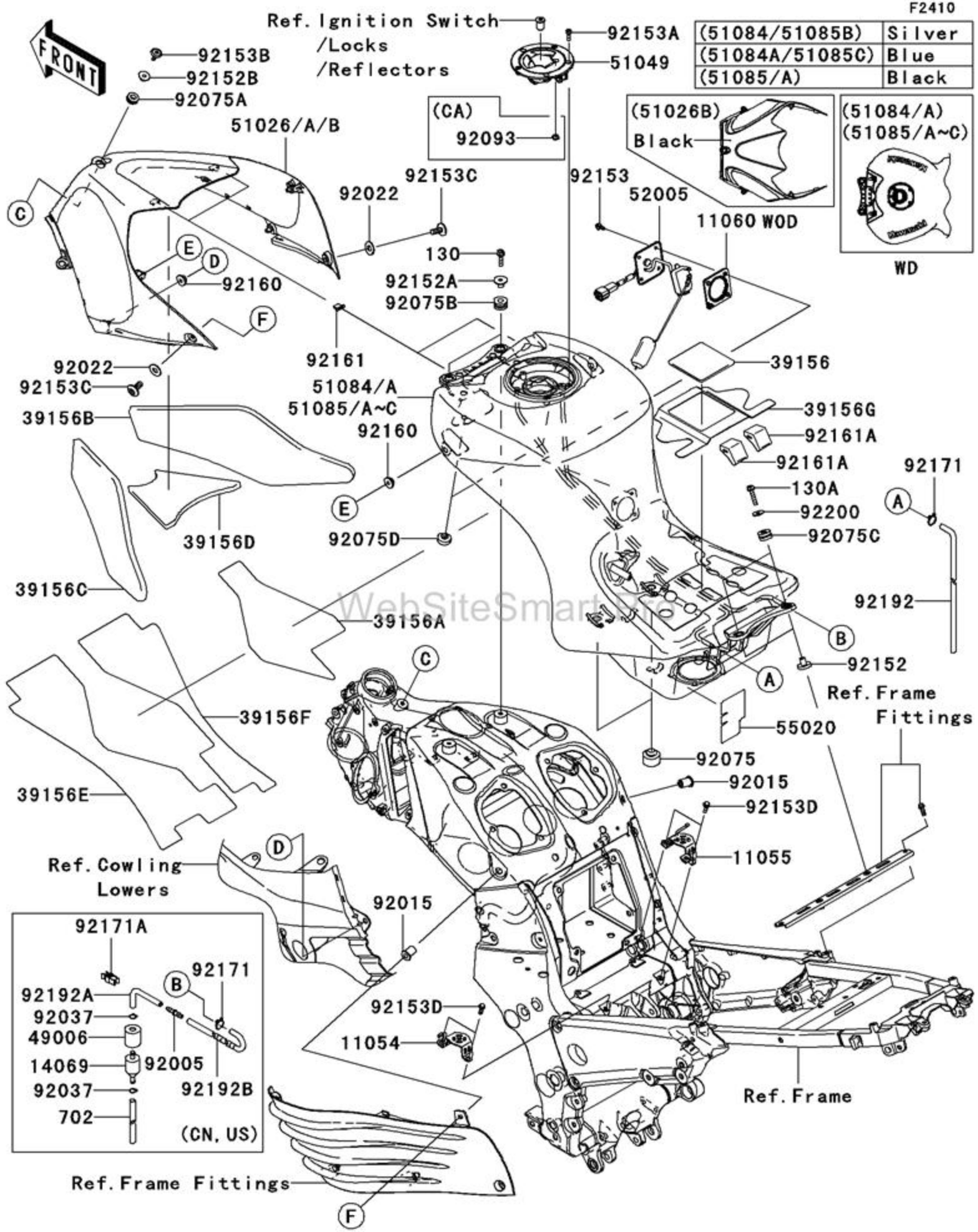


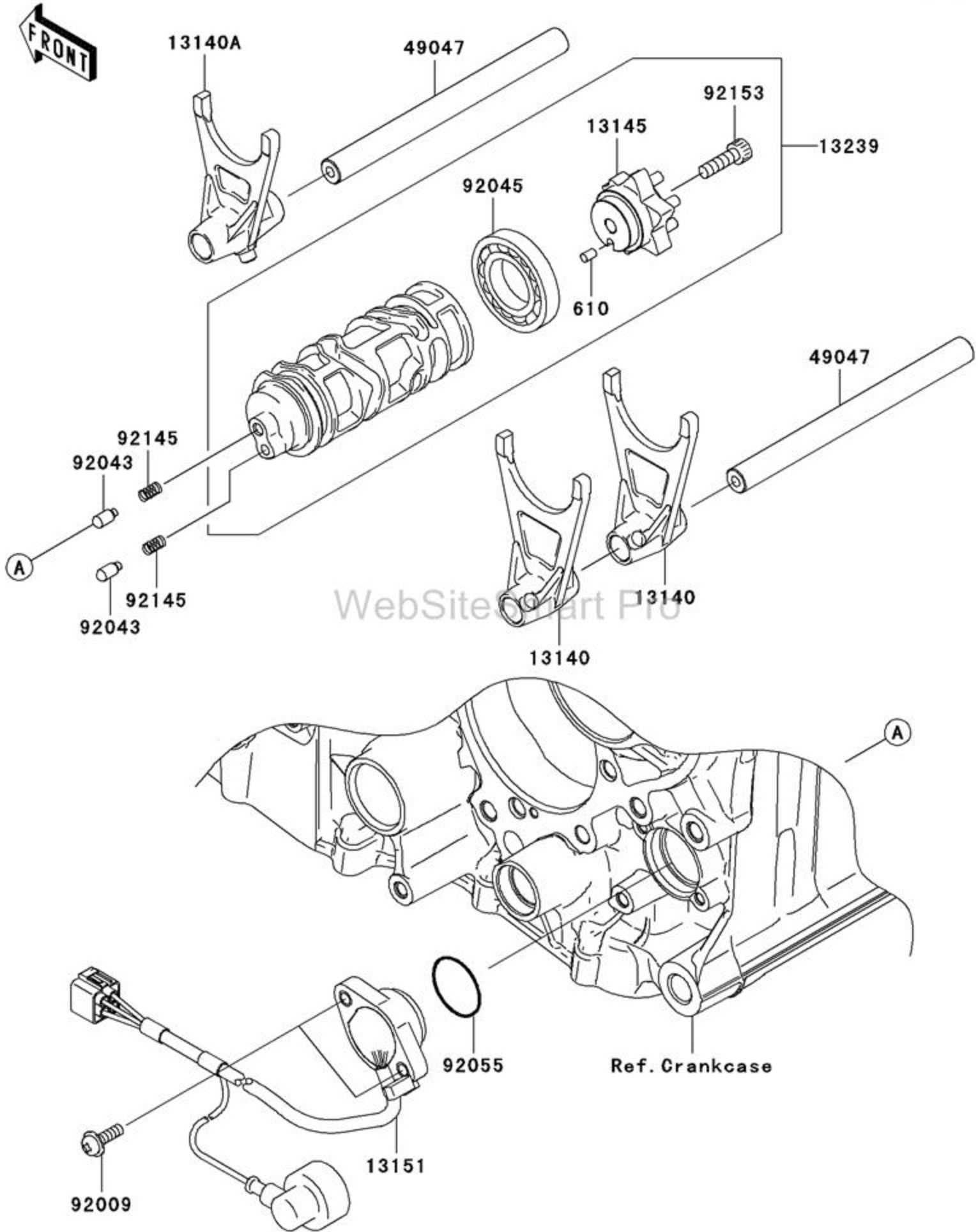
Ref. Front Fork



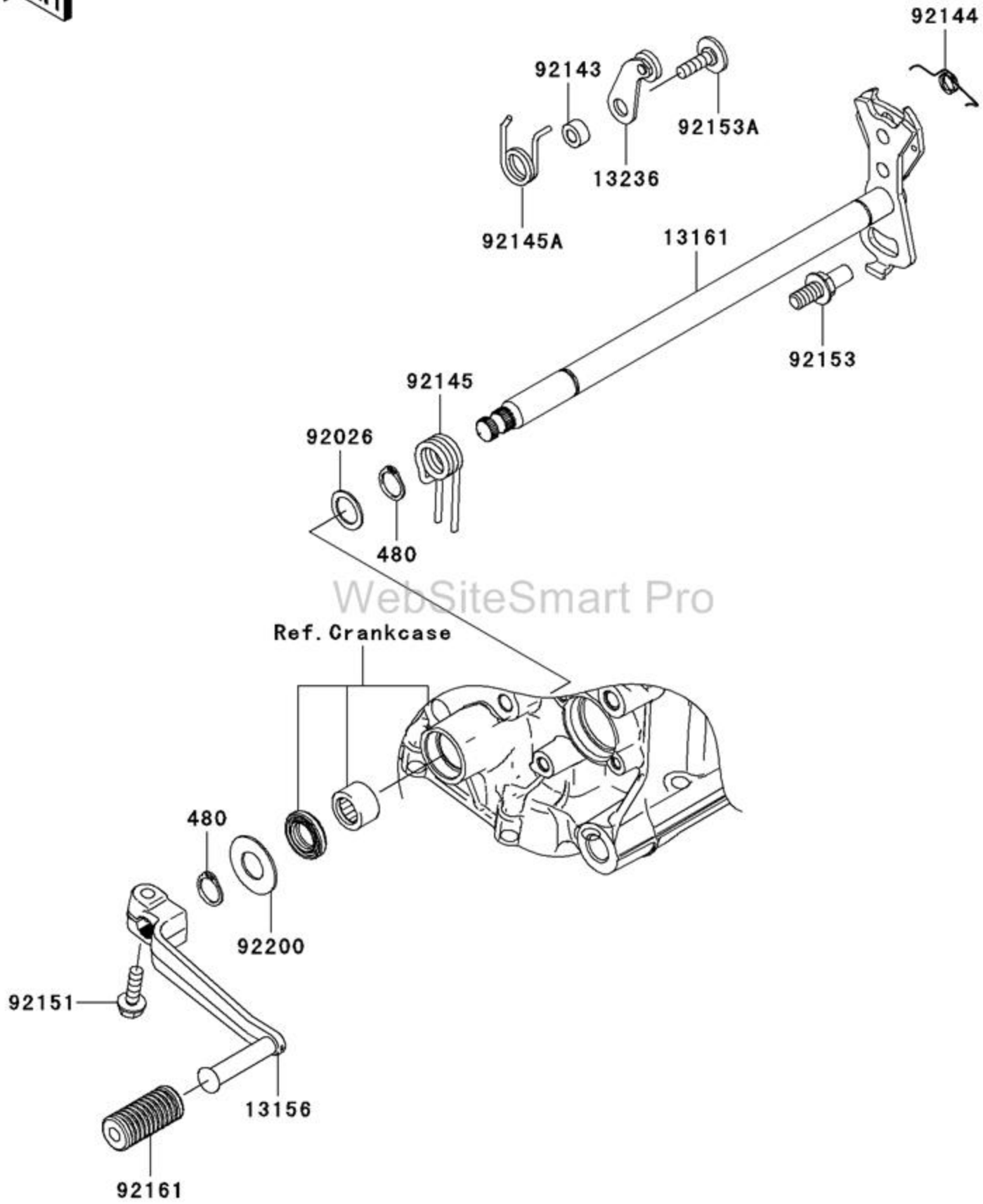


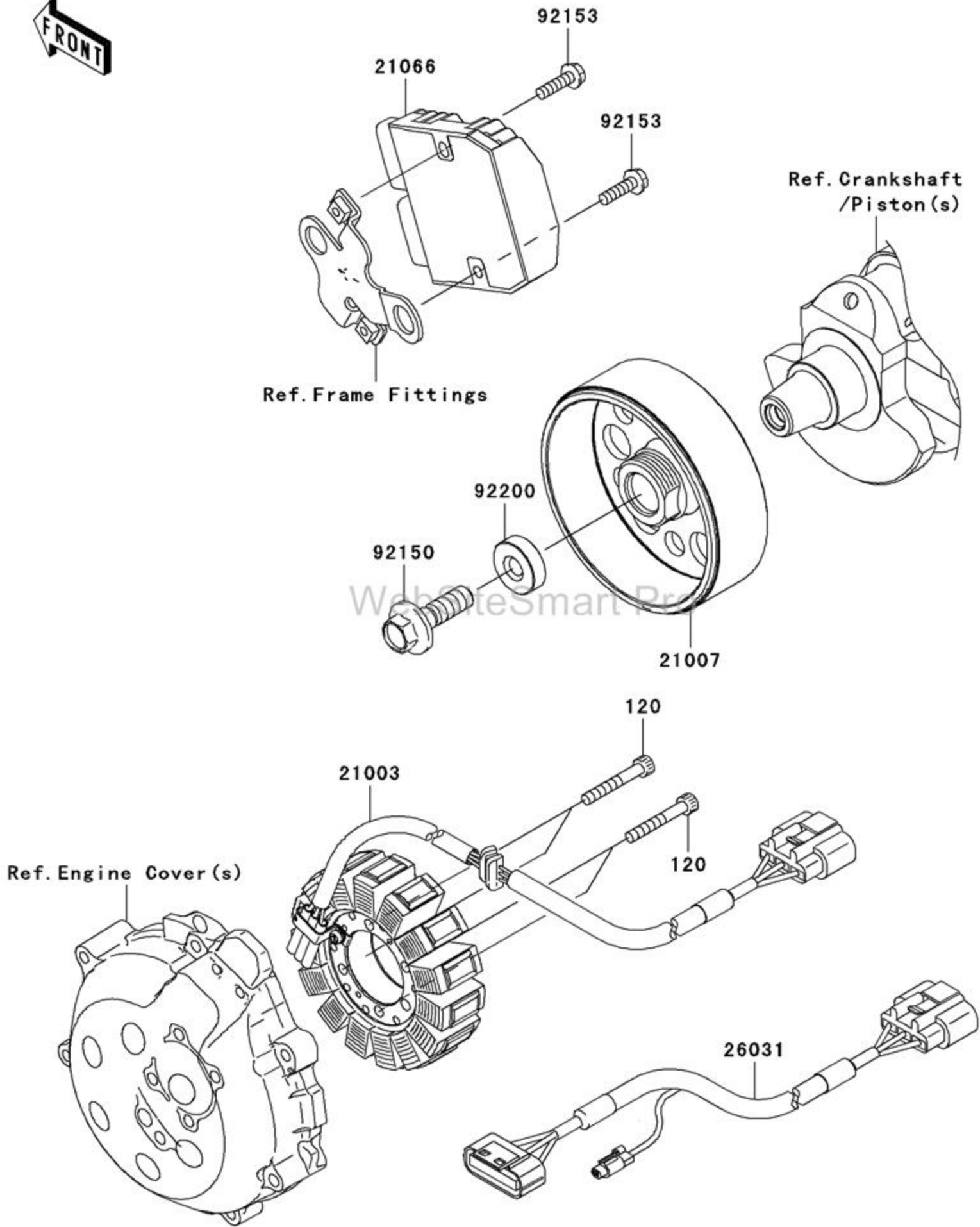








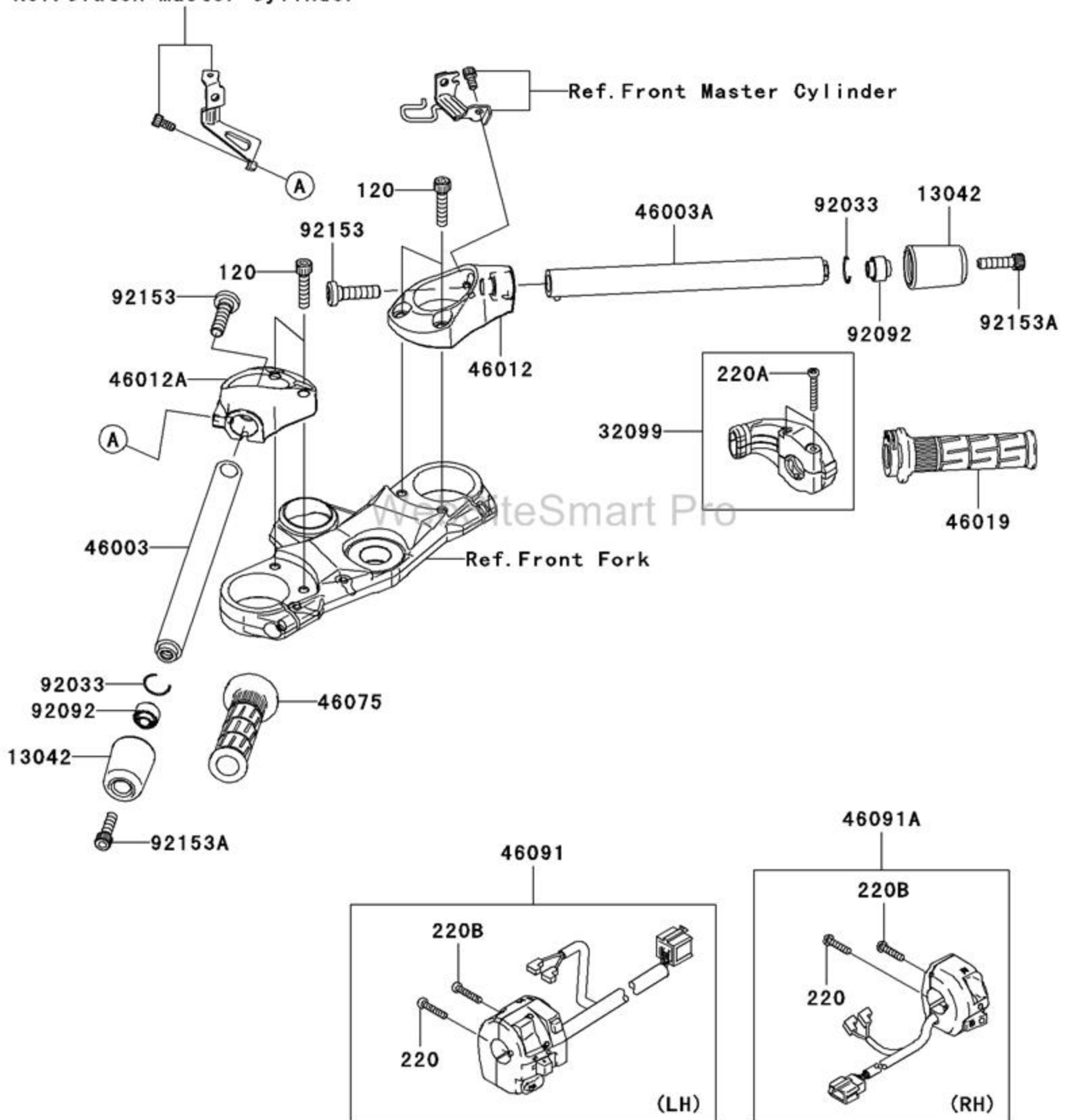


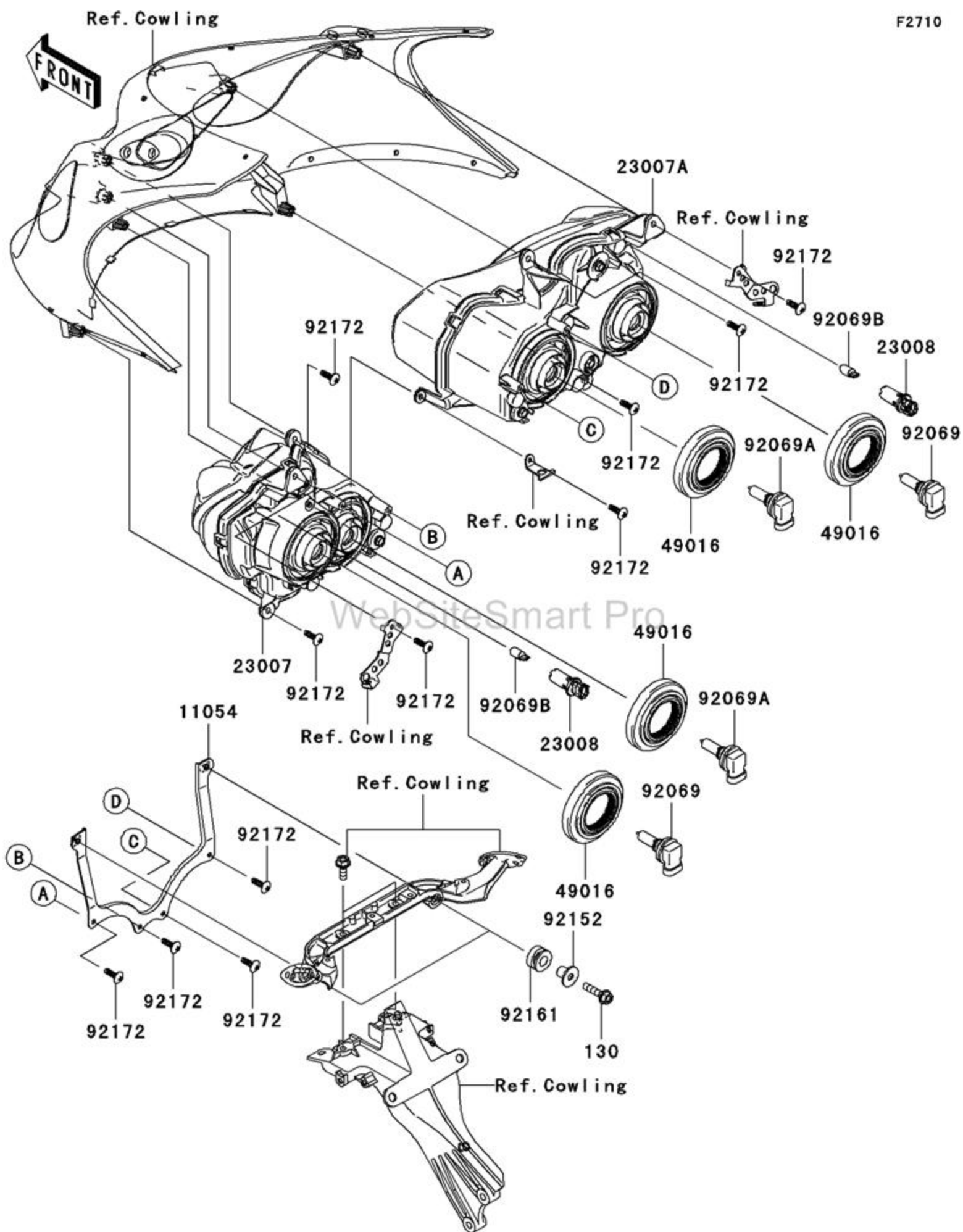


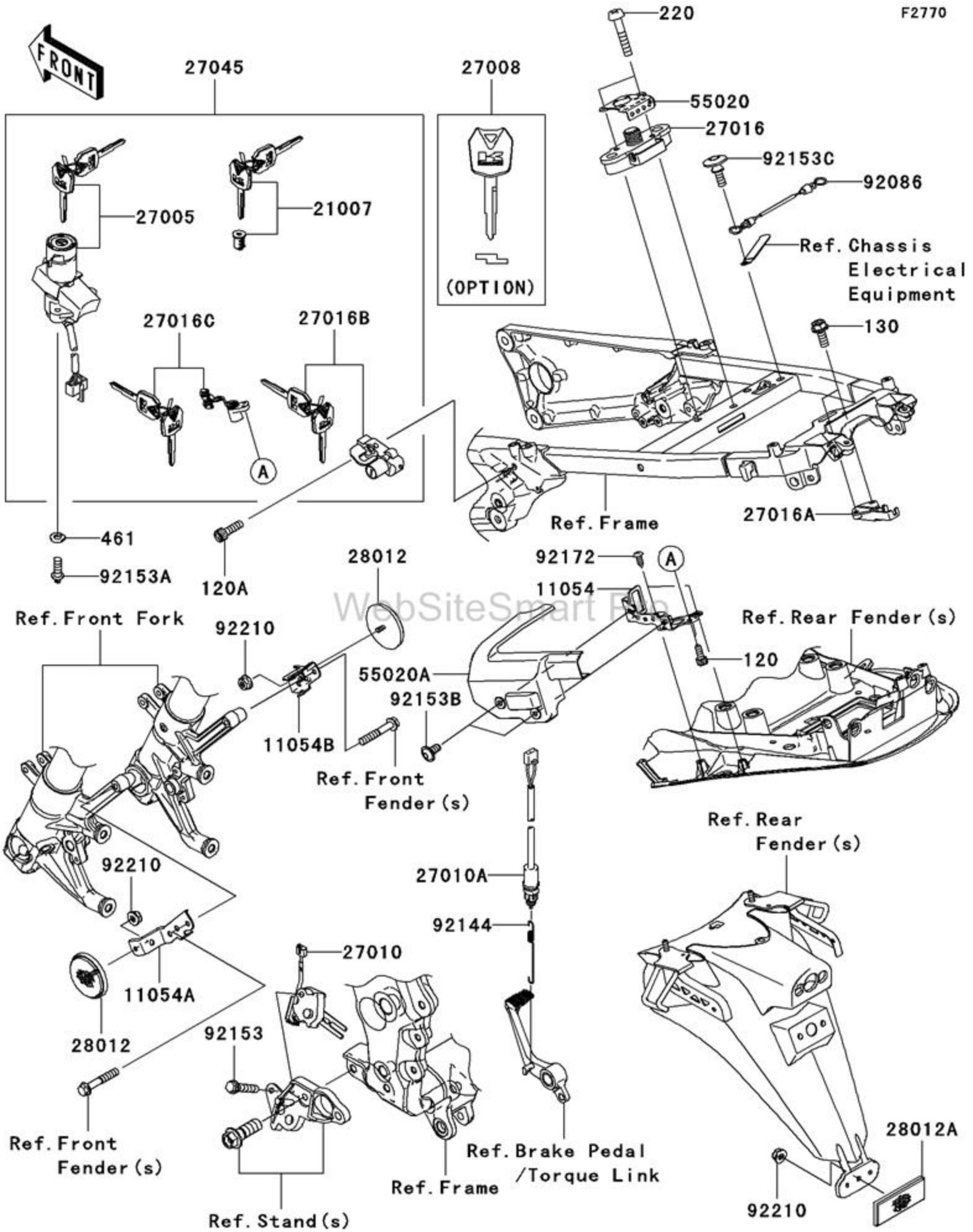


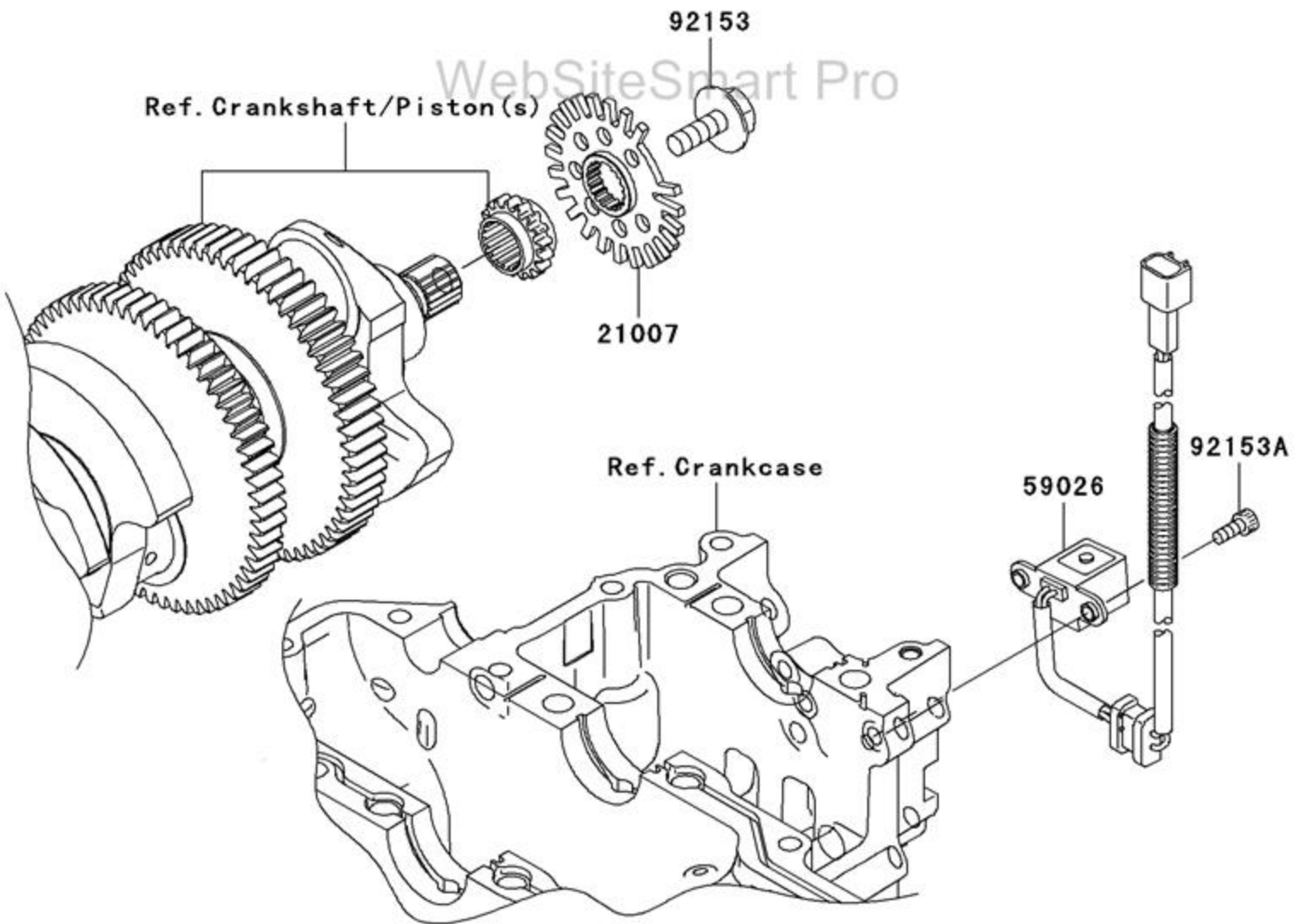
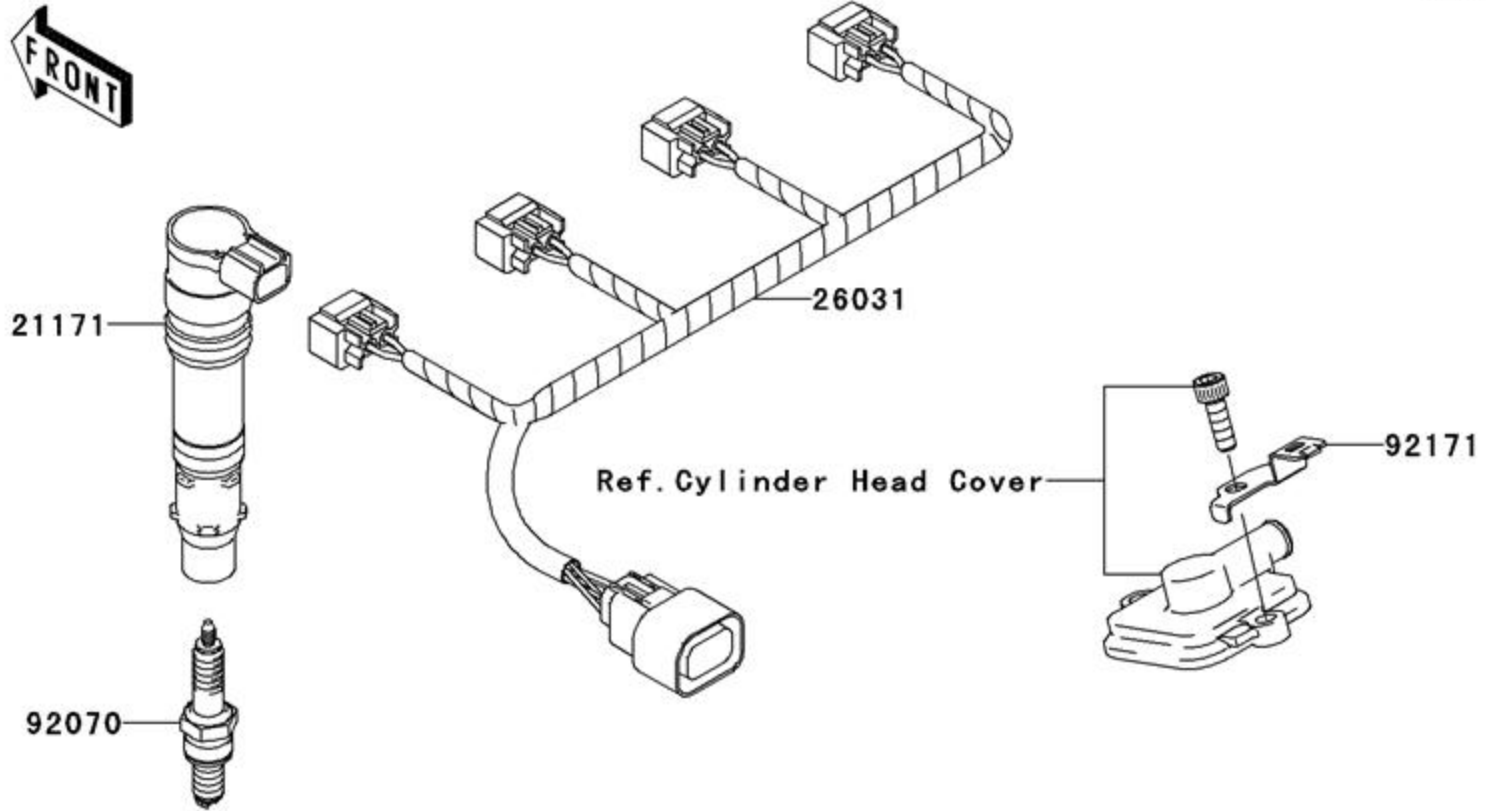
Ref. Clutch Master Cylinder

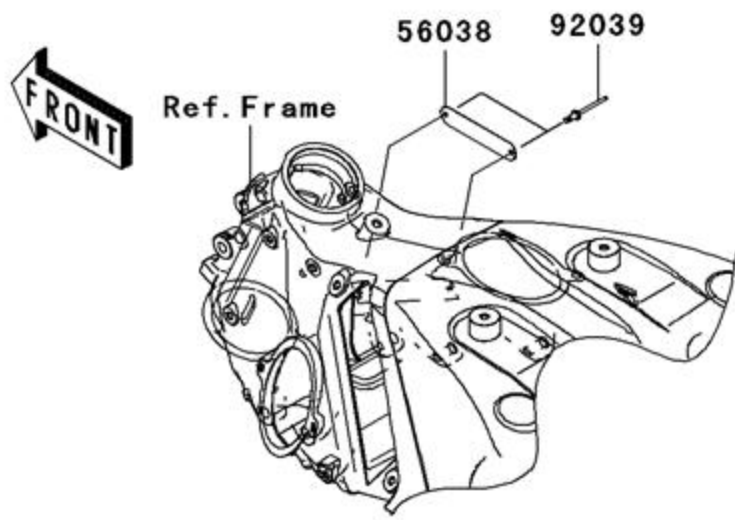
Ref. Front Master Cylinder



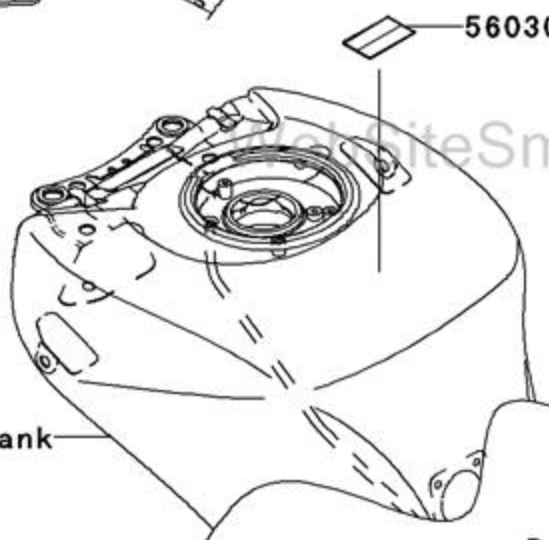
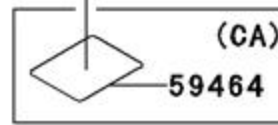
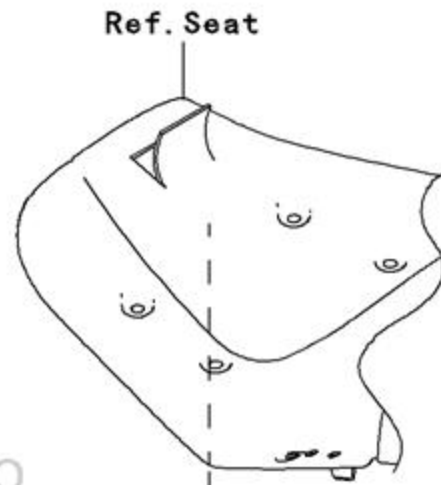
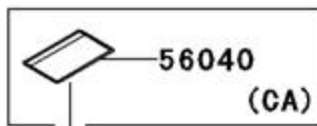
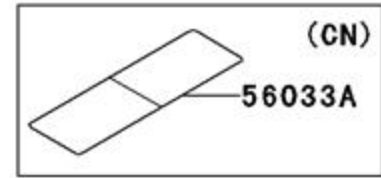




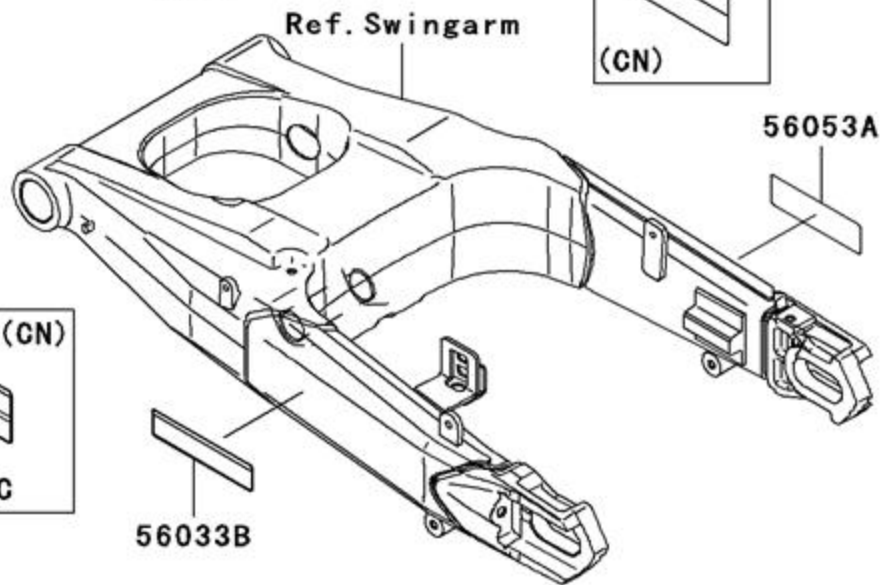
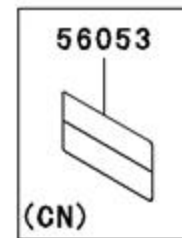




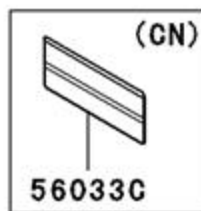
Ref. Frame Fittings

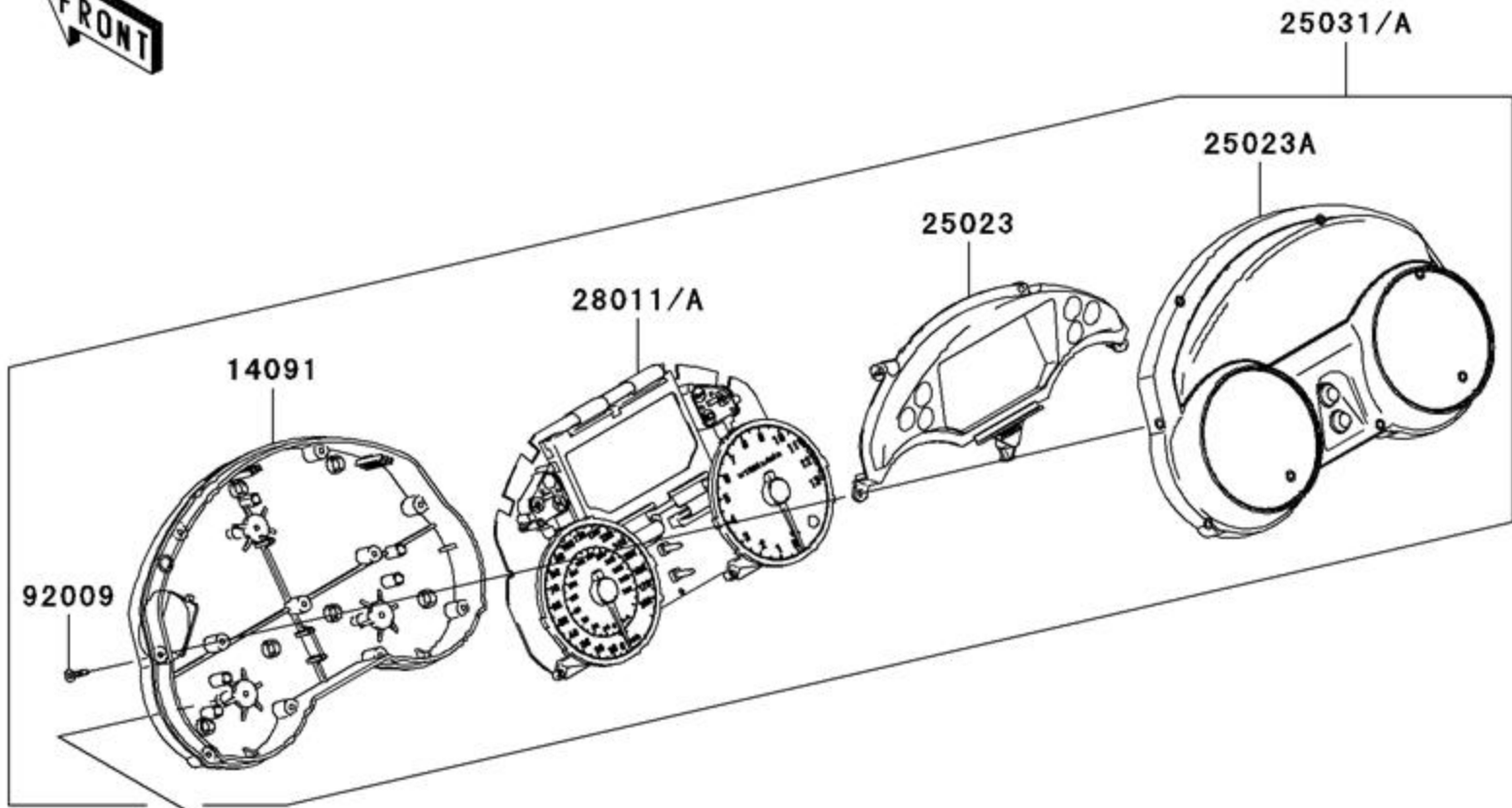


Ref. Fuel Tank

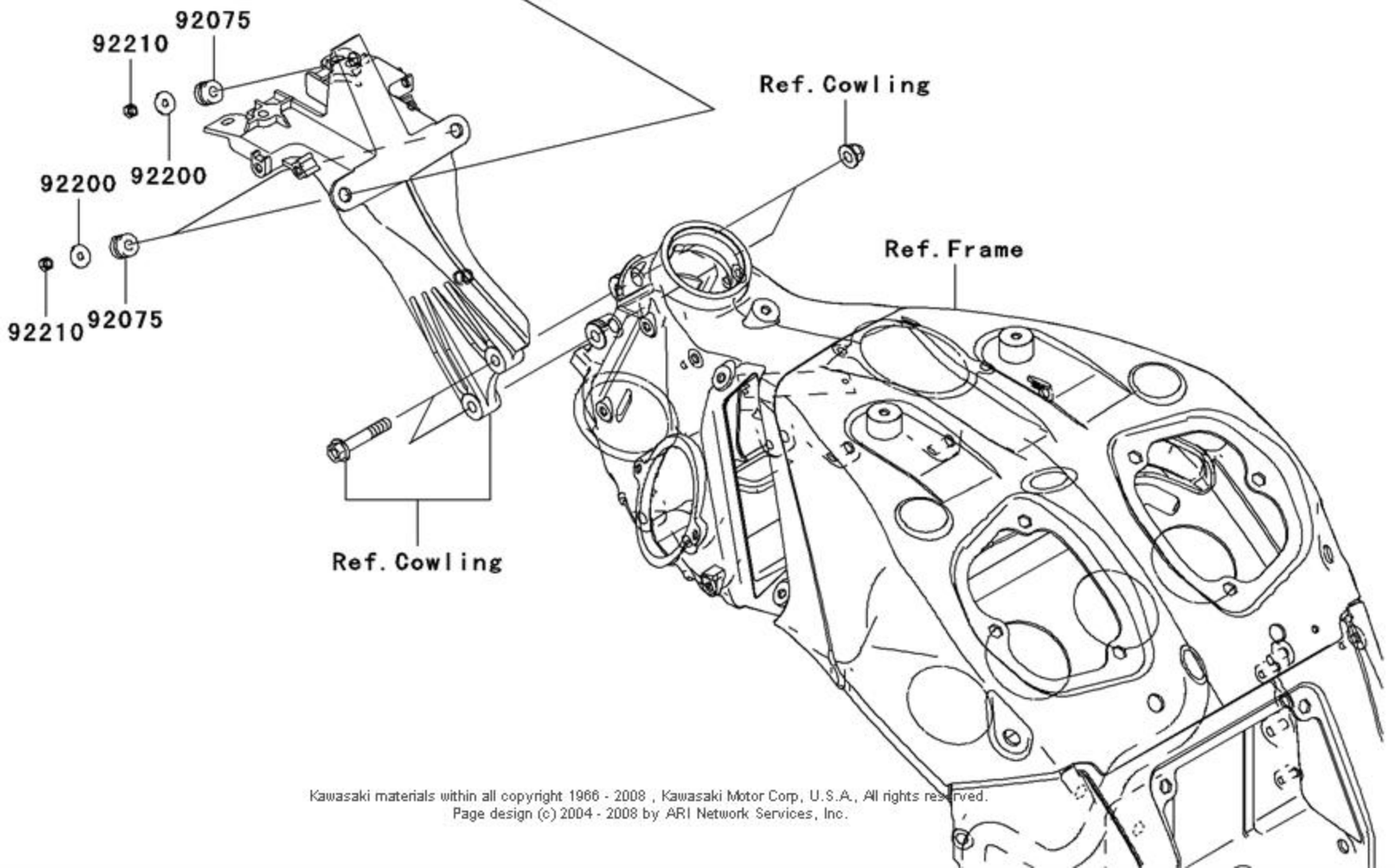


56053A

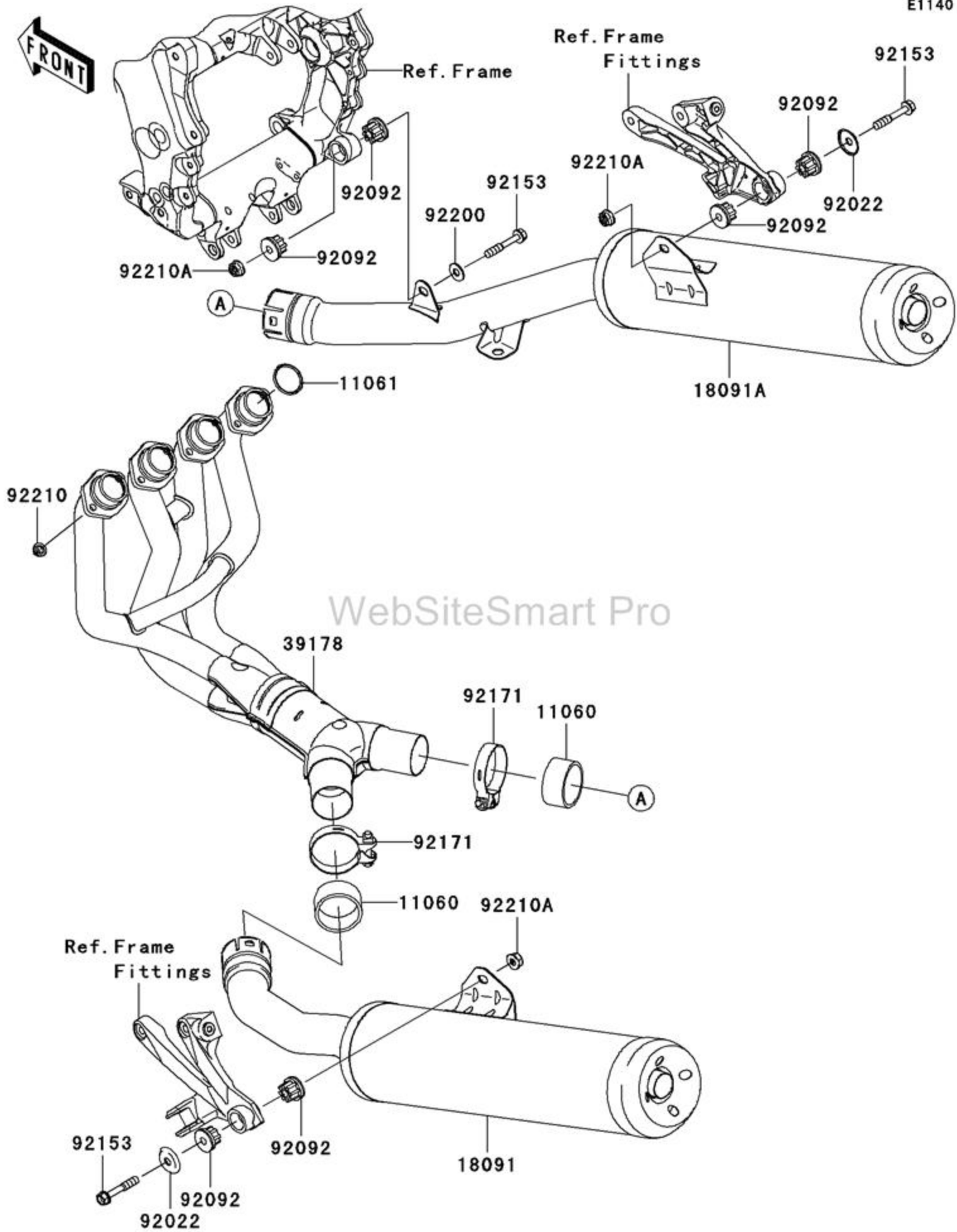


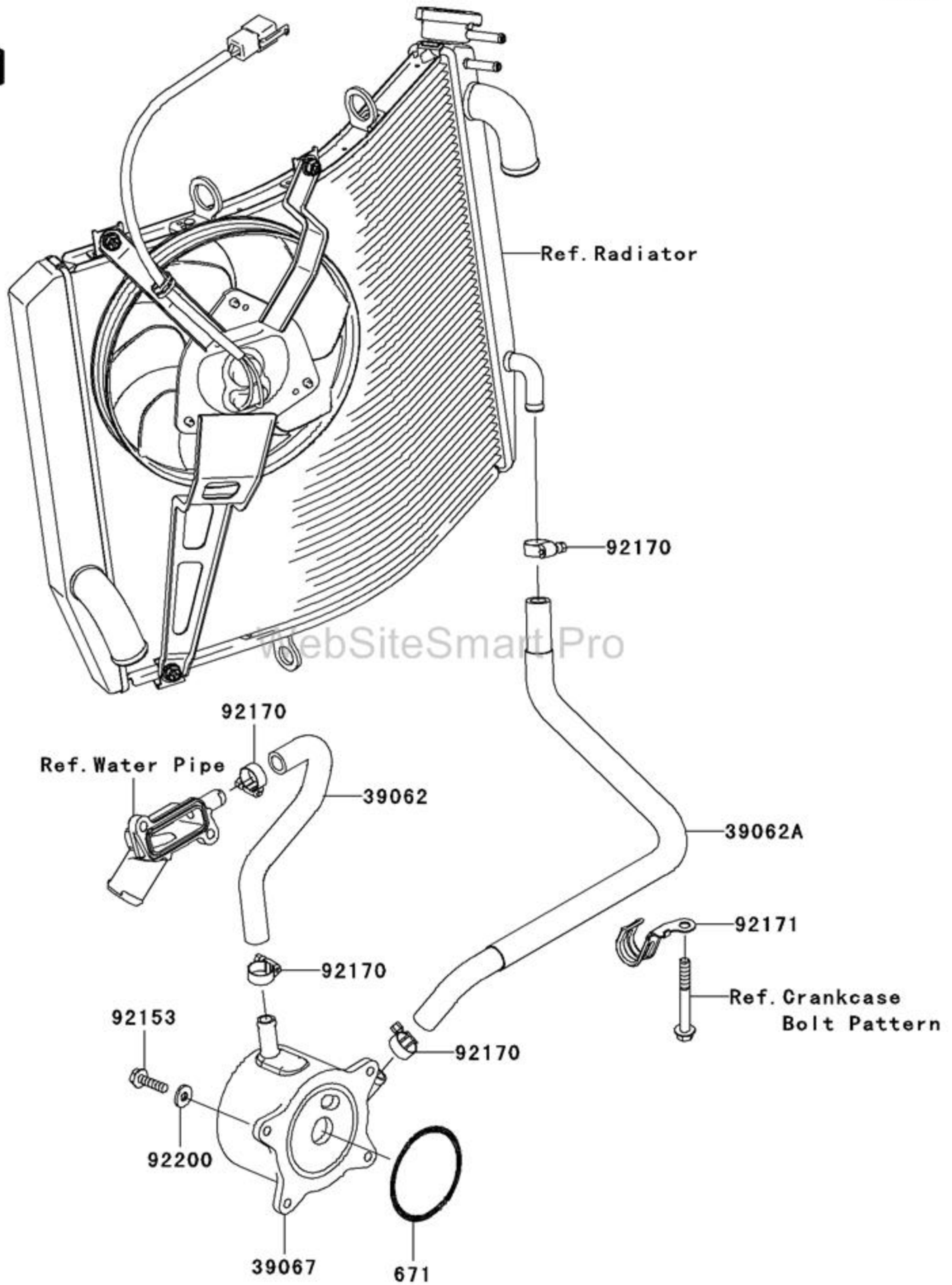


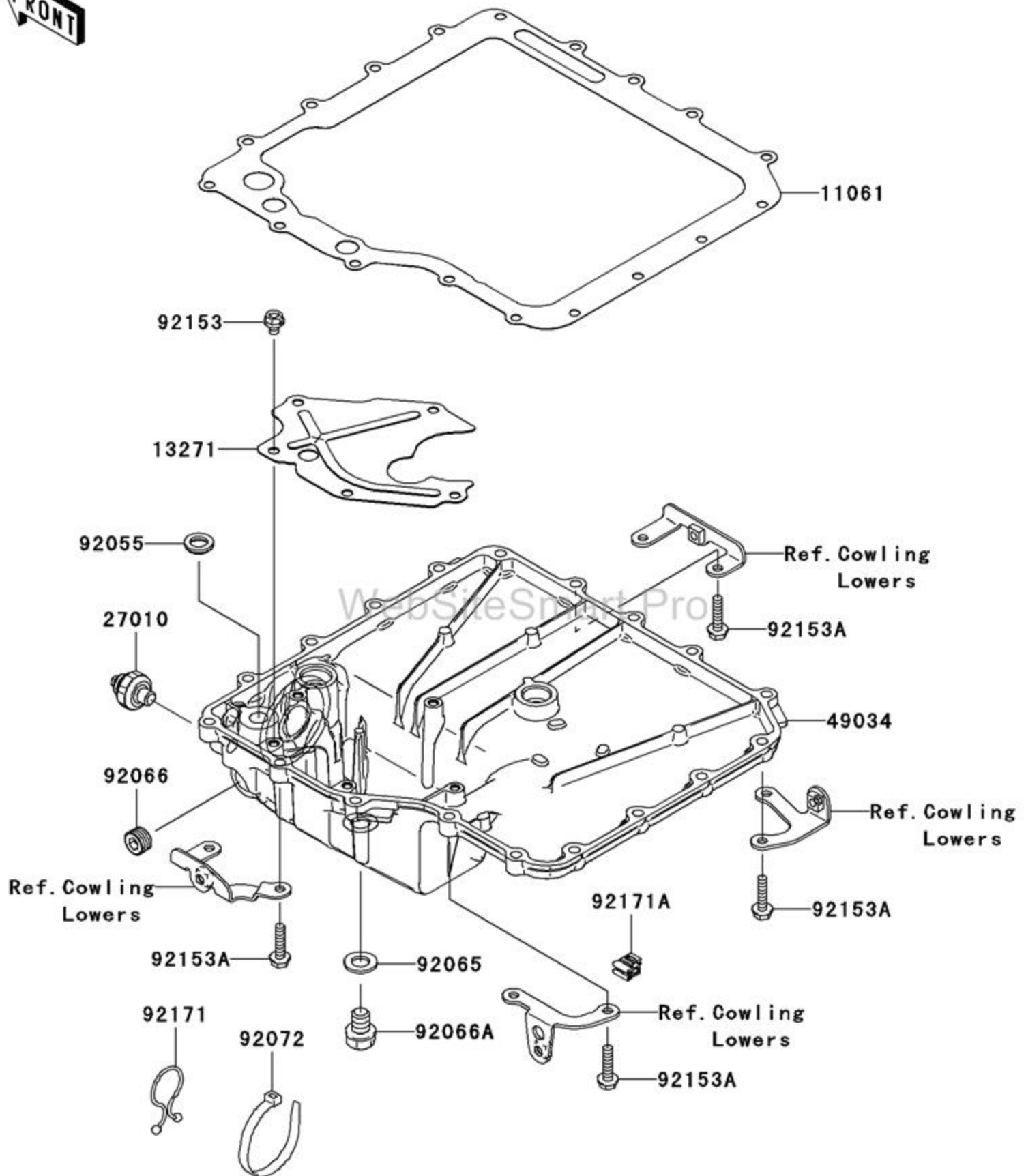
WebSiteSmart Pro

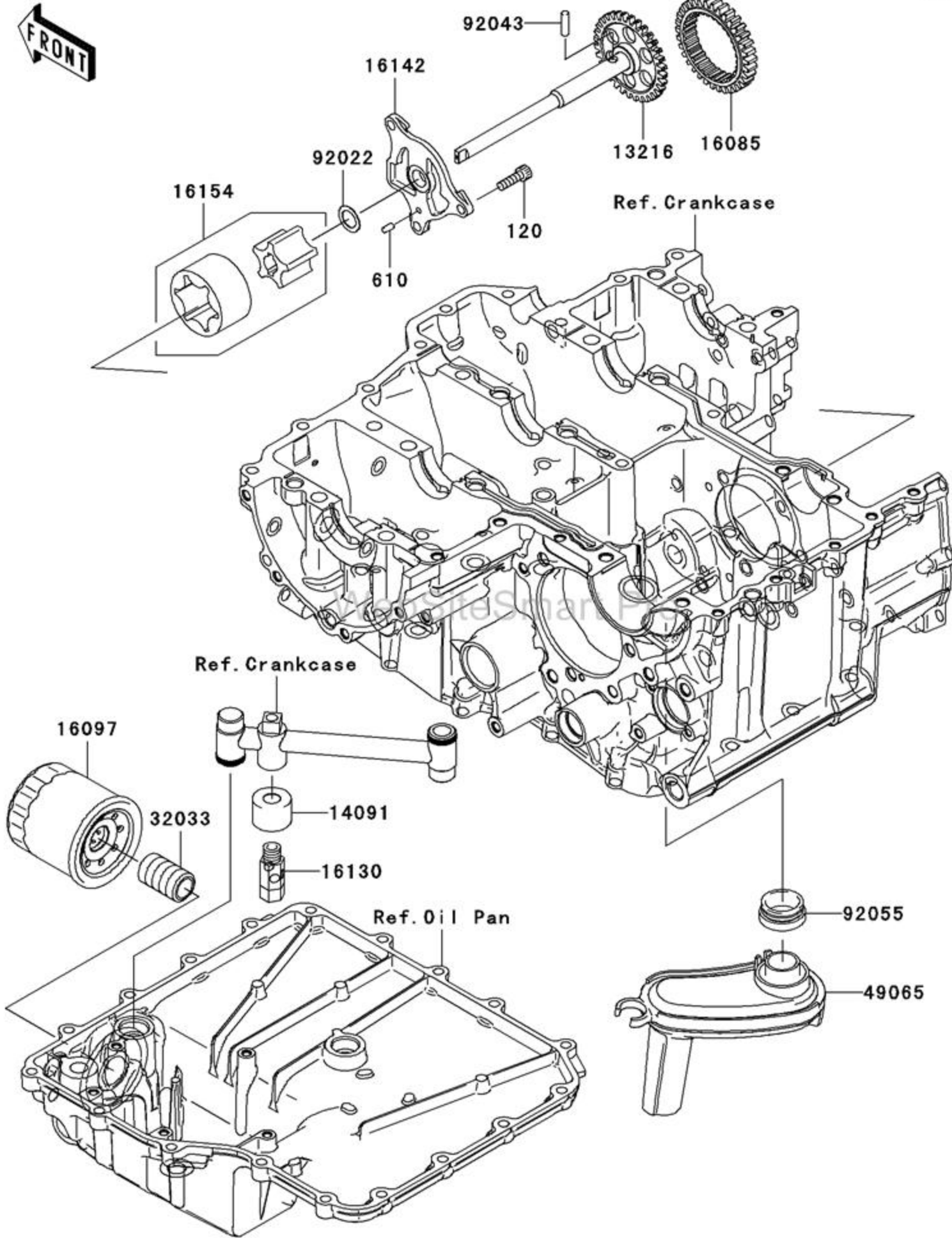


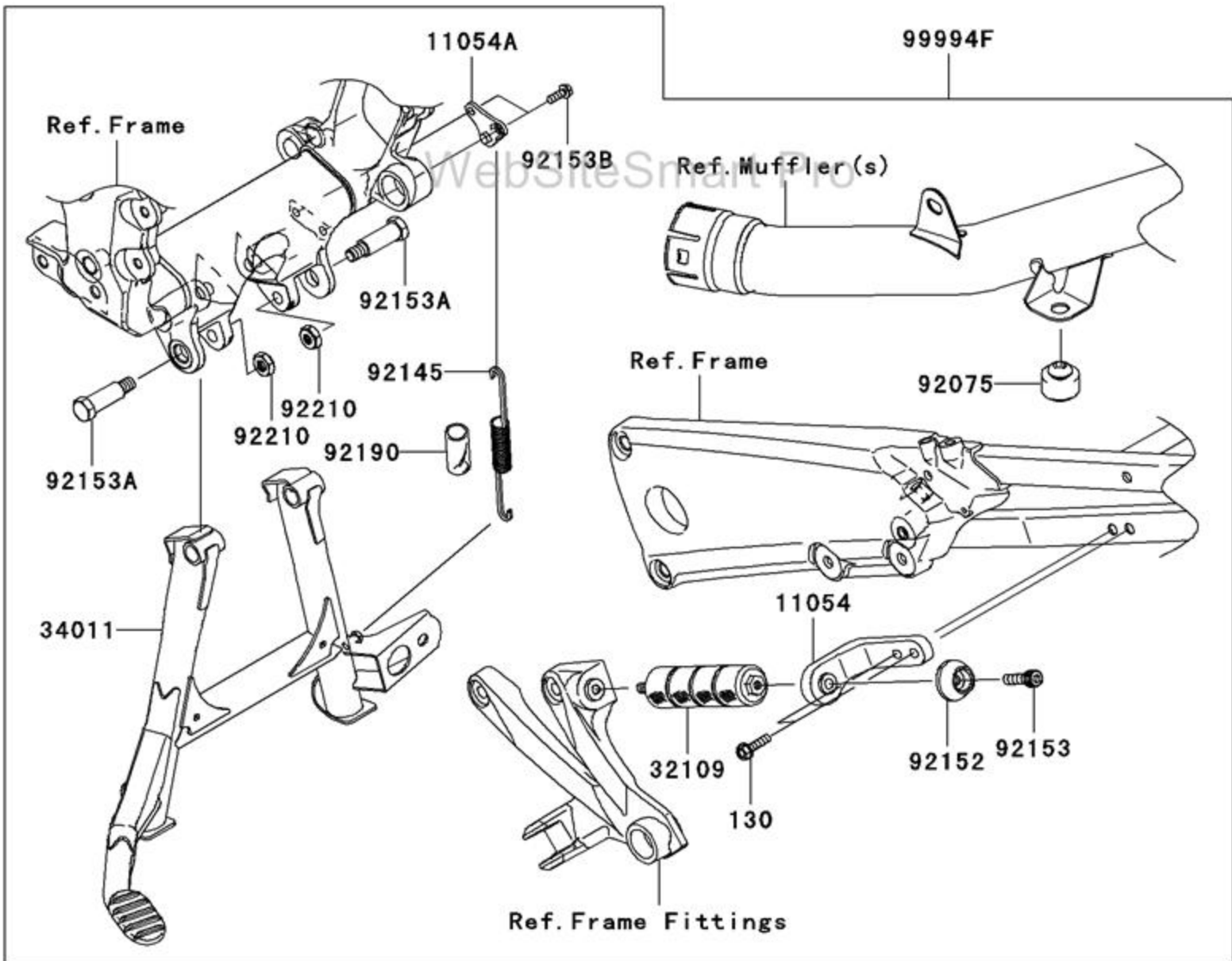
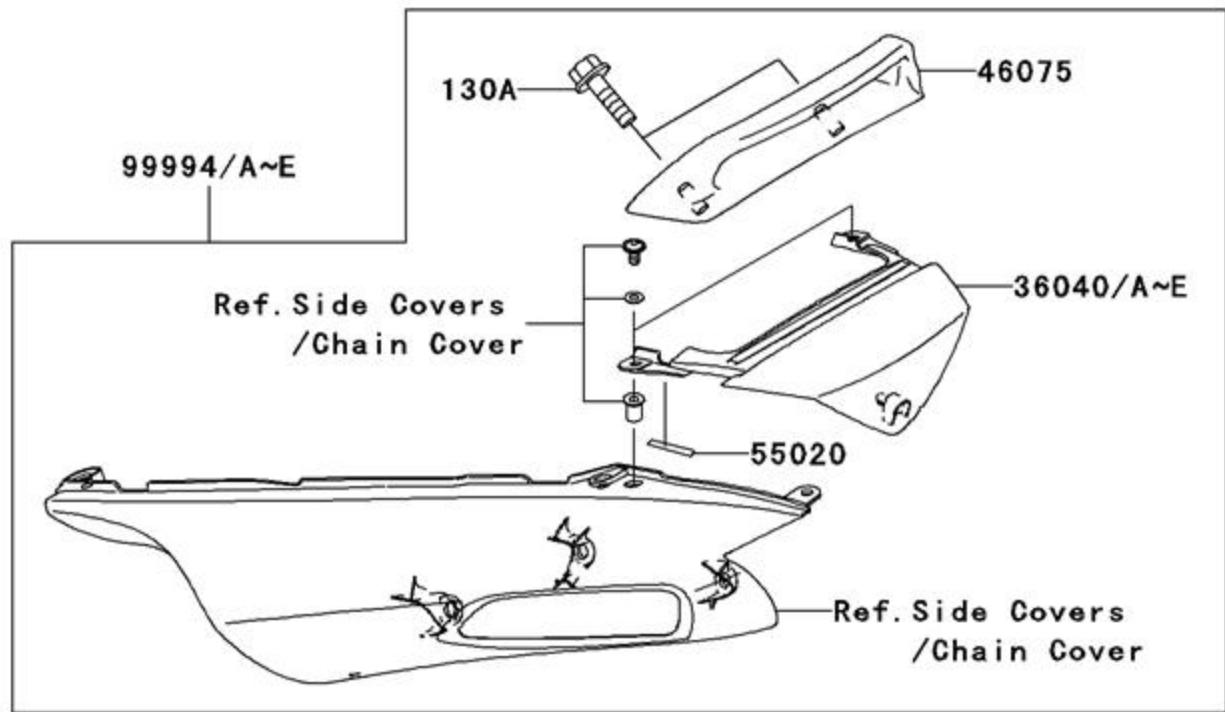


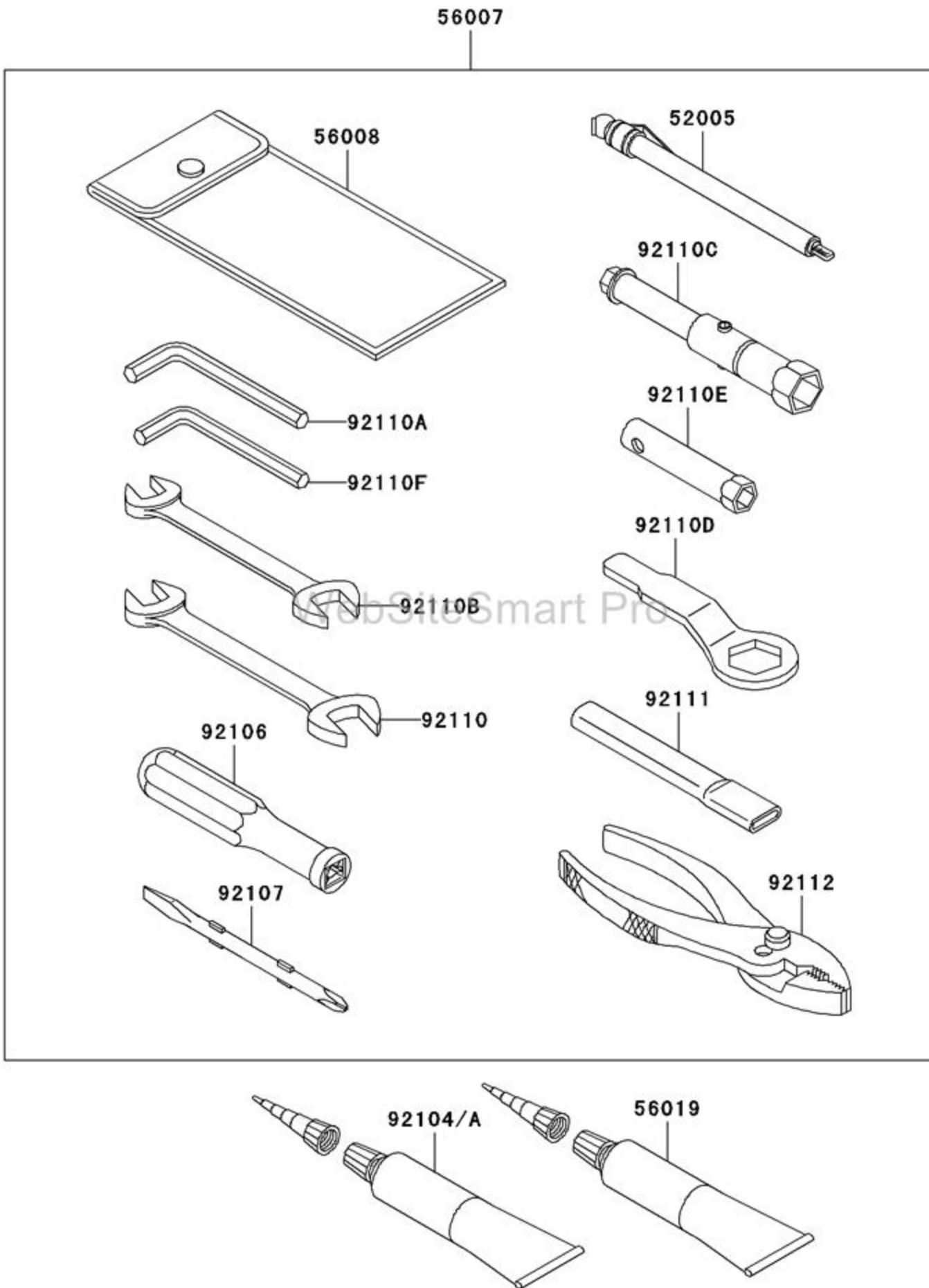




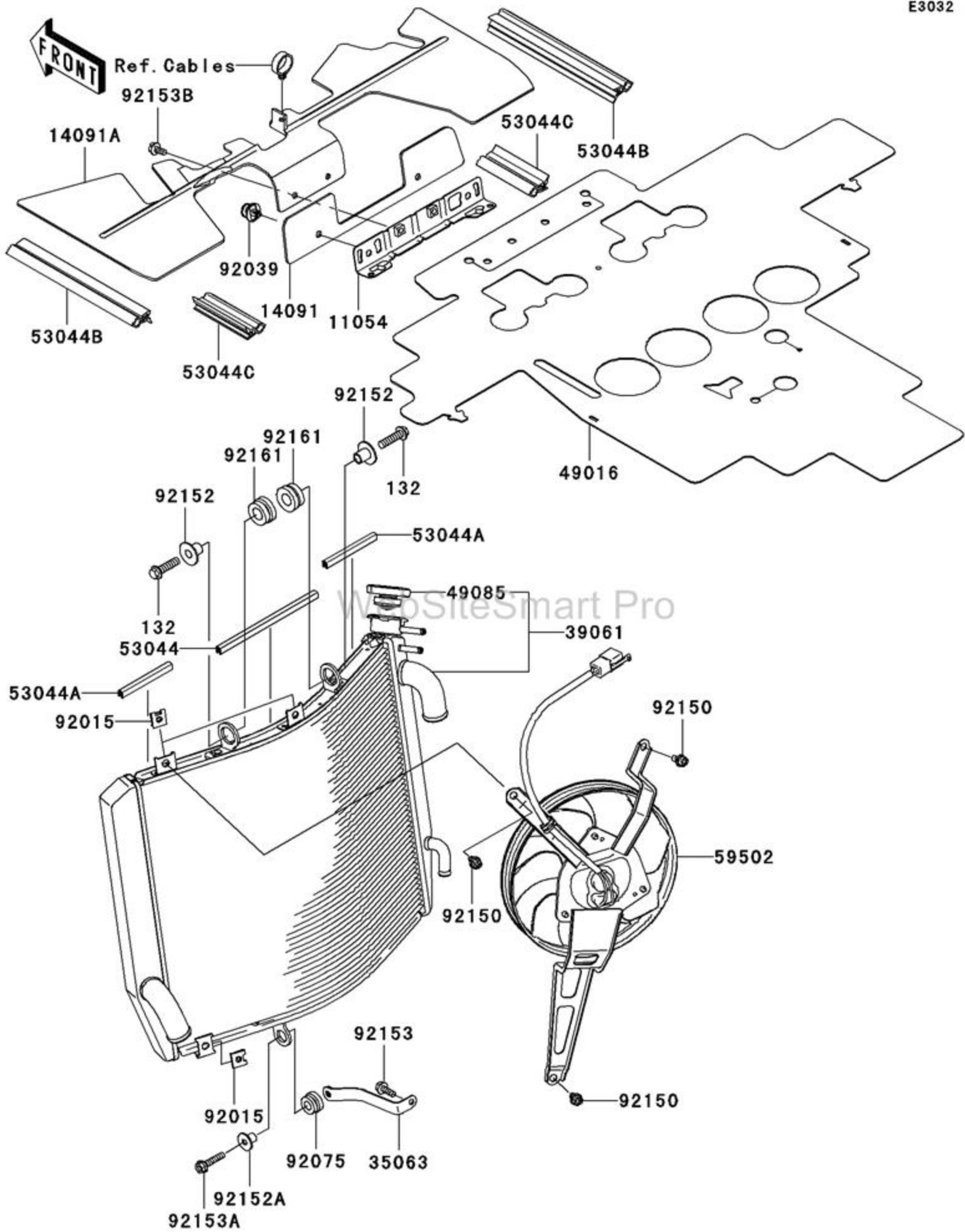




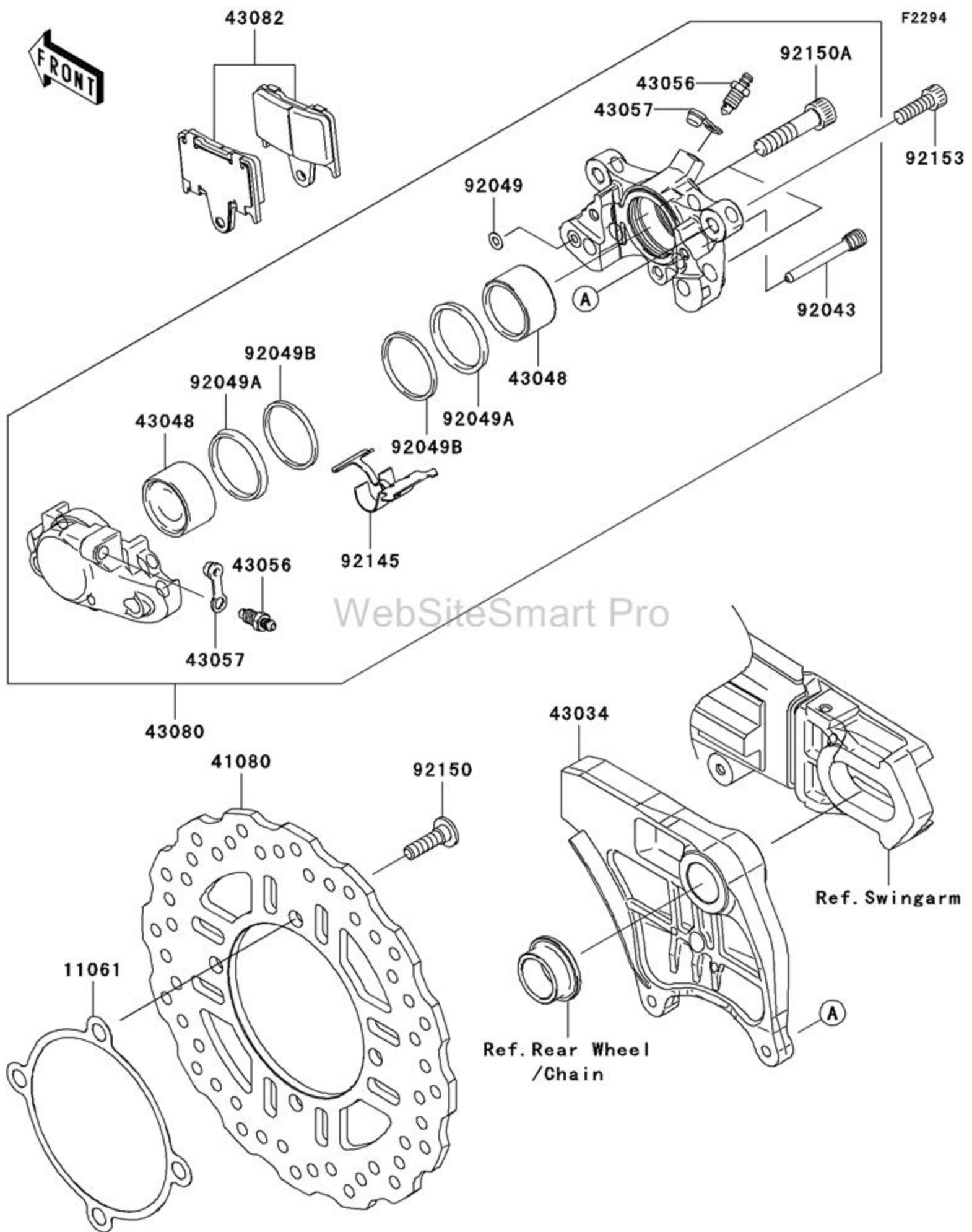


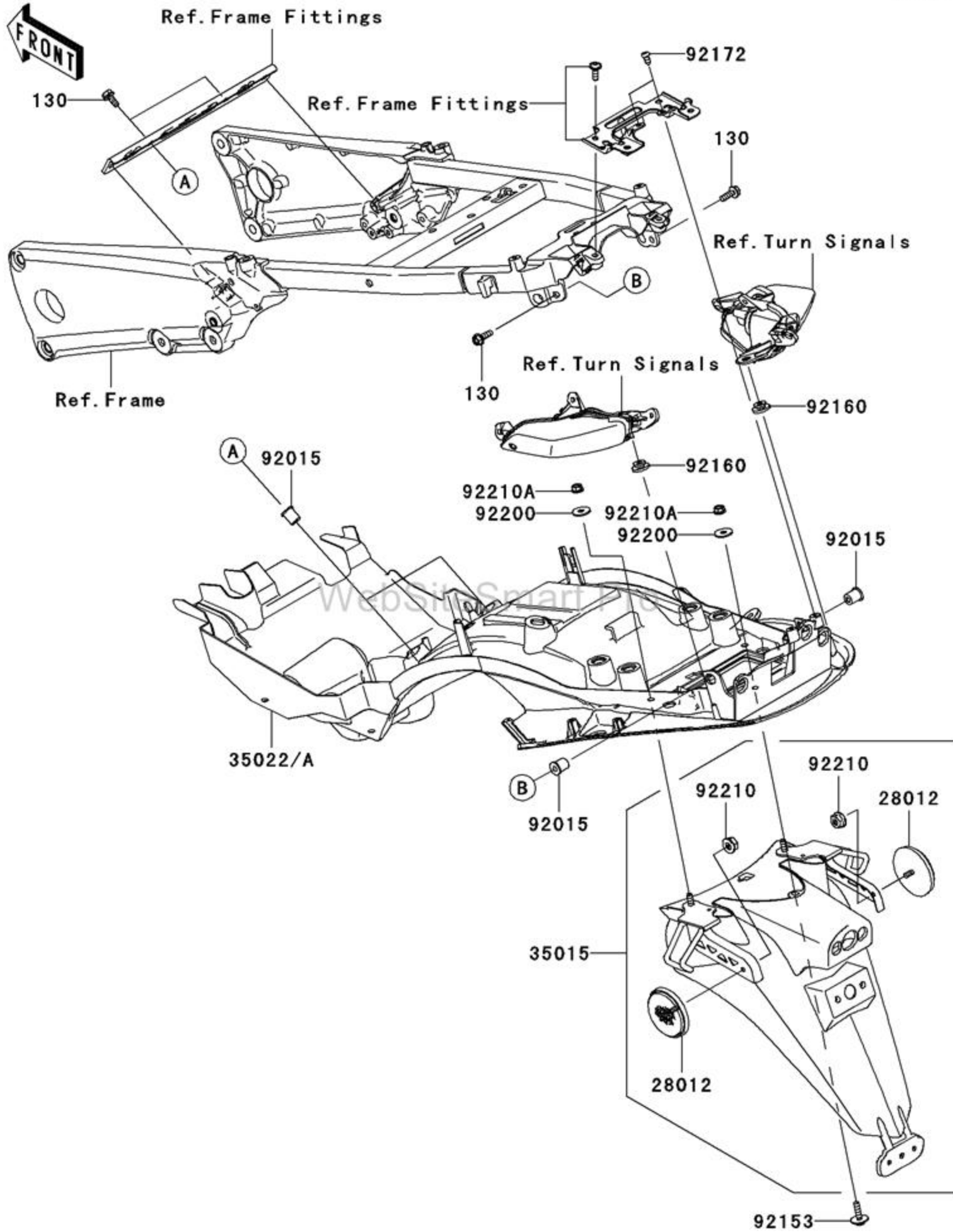


# **Publications available from Kawasaki**



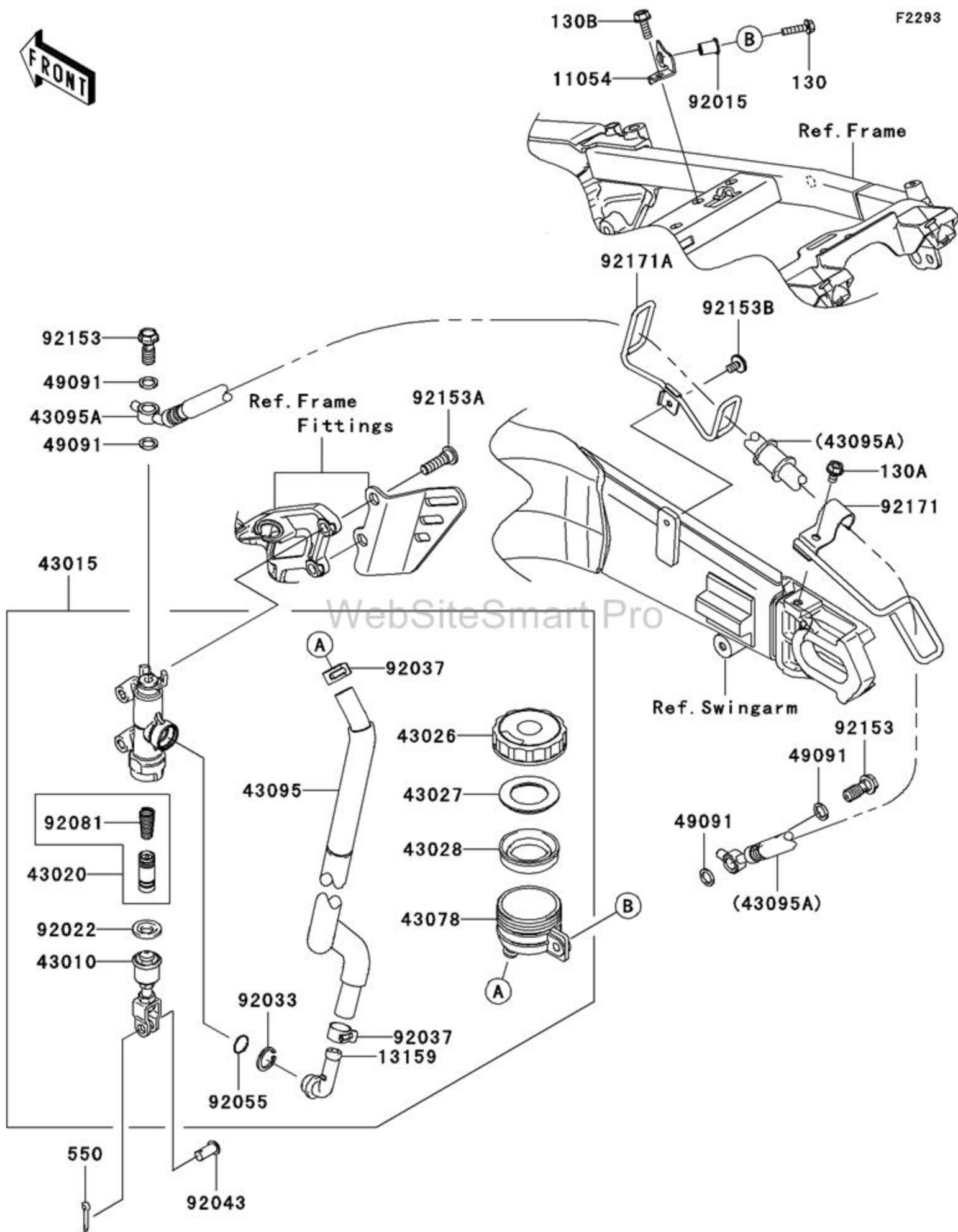


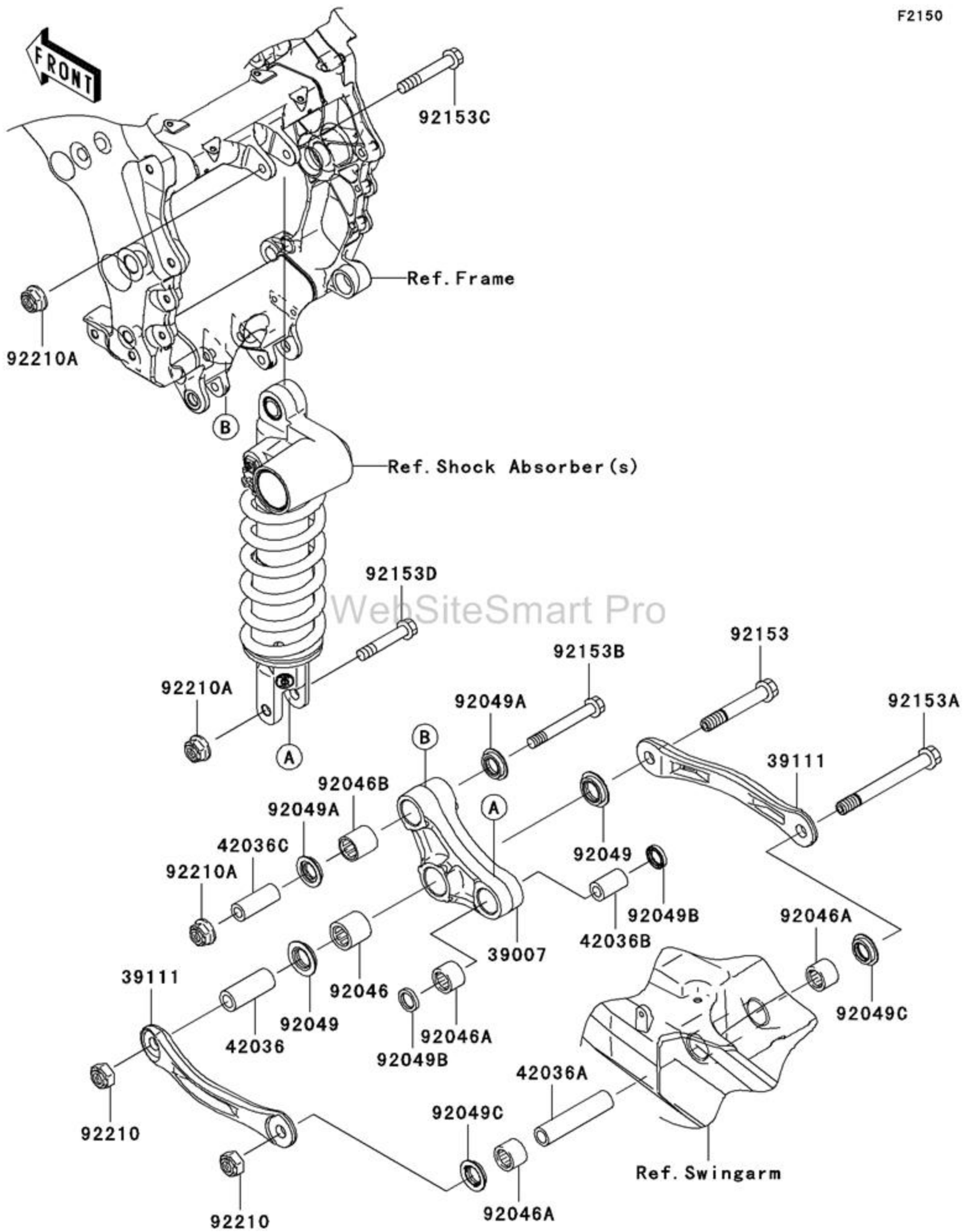


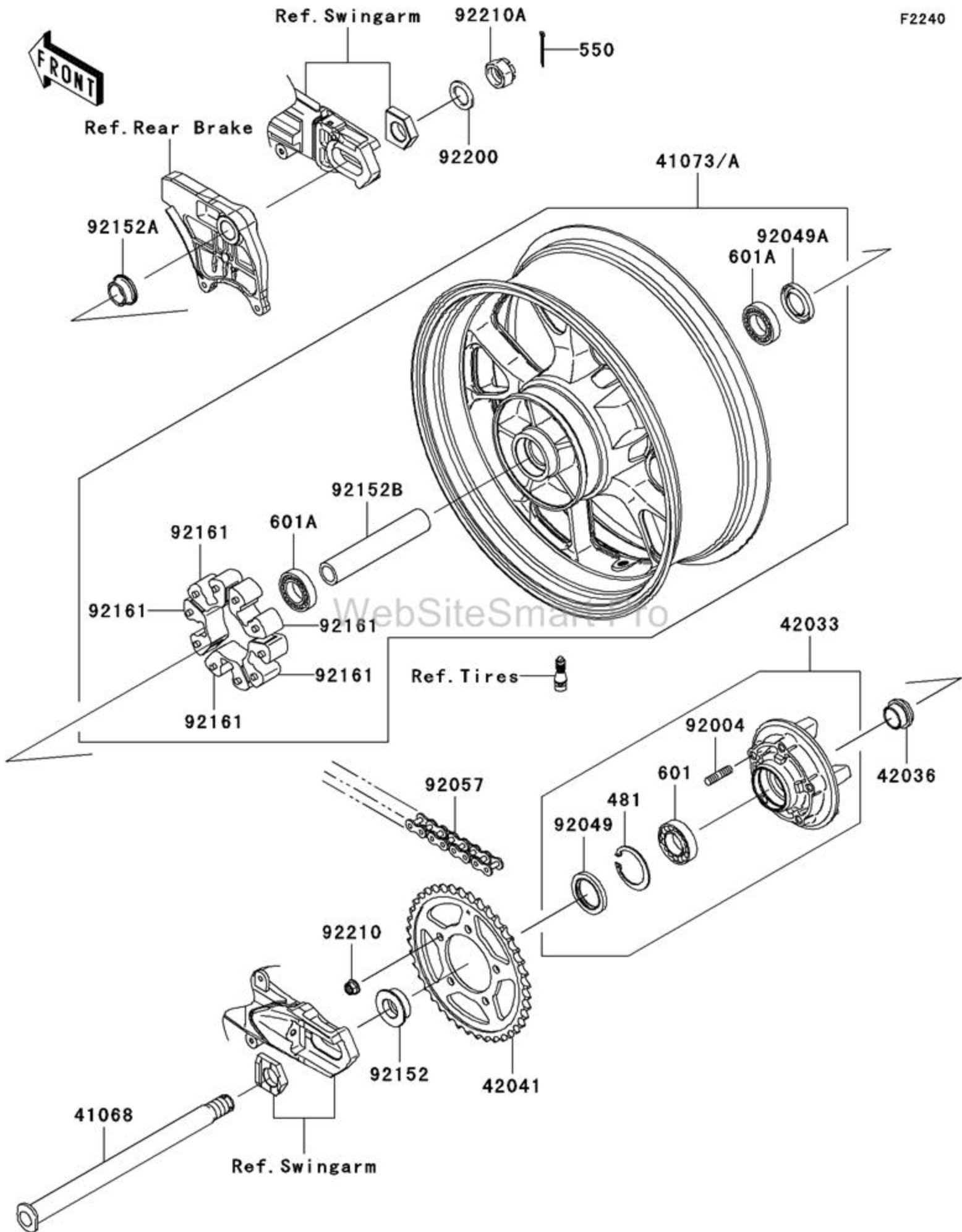


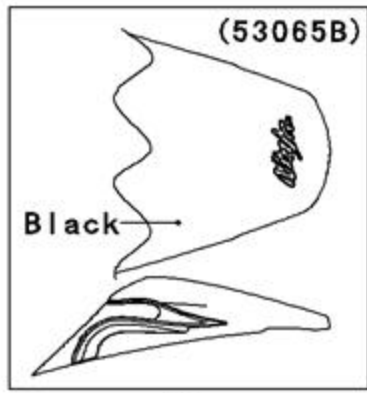
FRONT

F2293



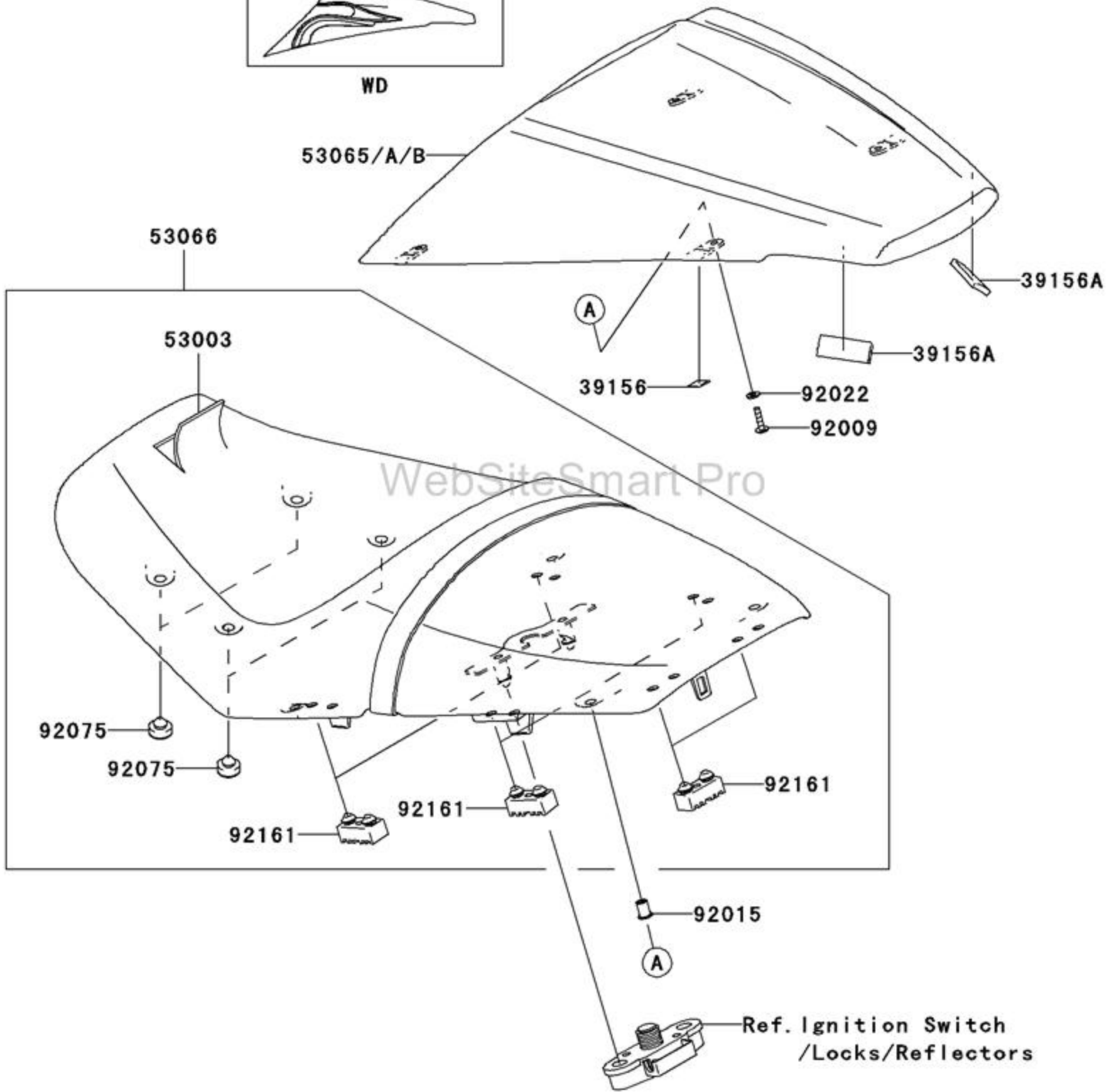






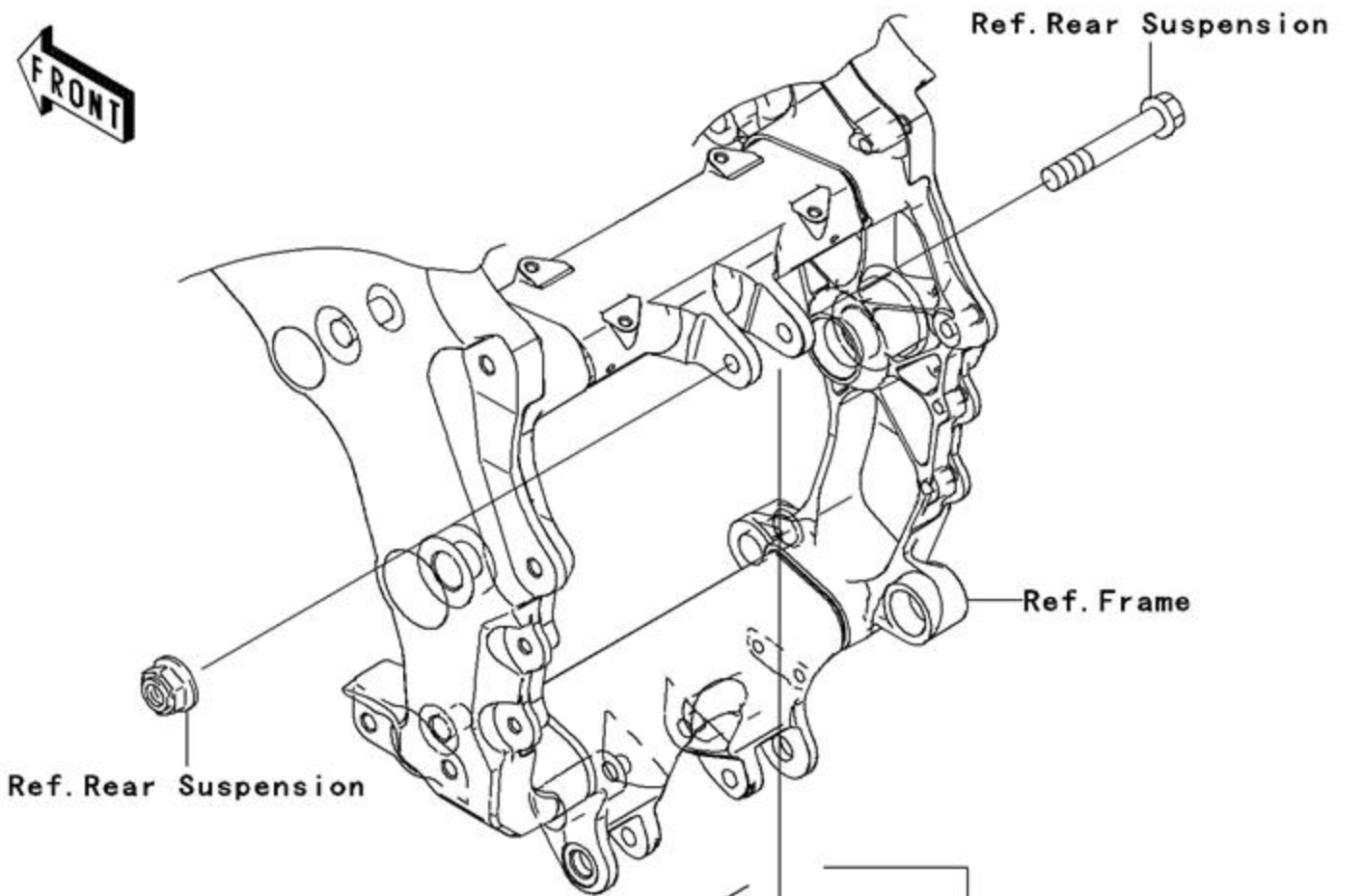
WD

53065/A/B

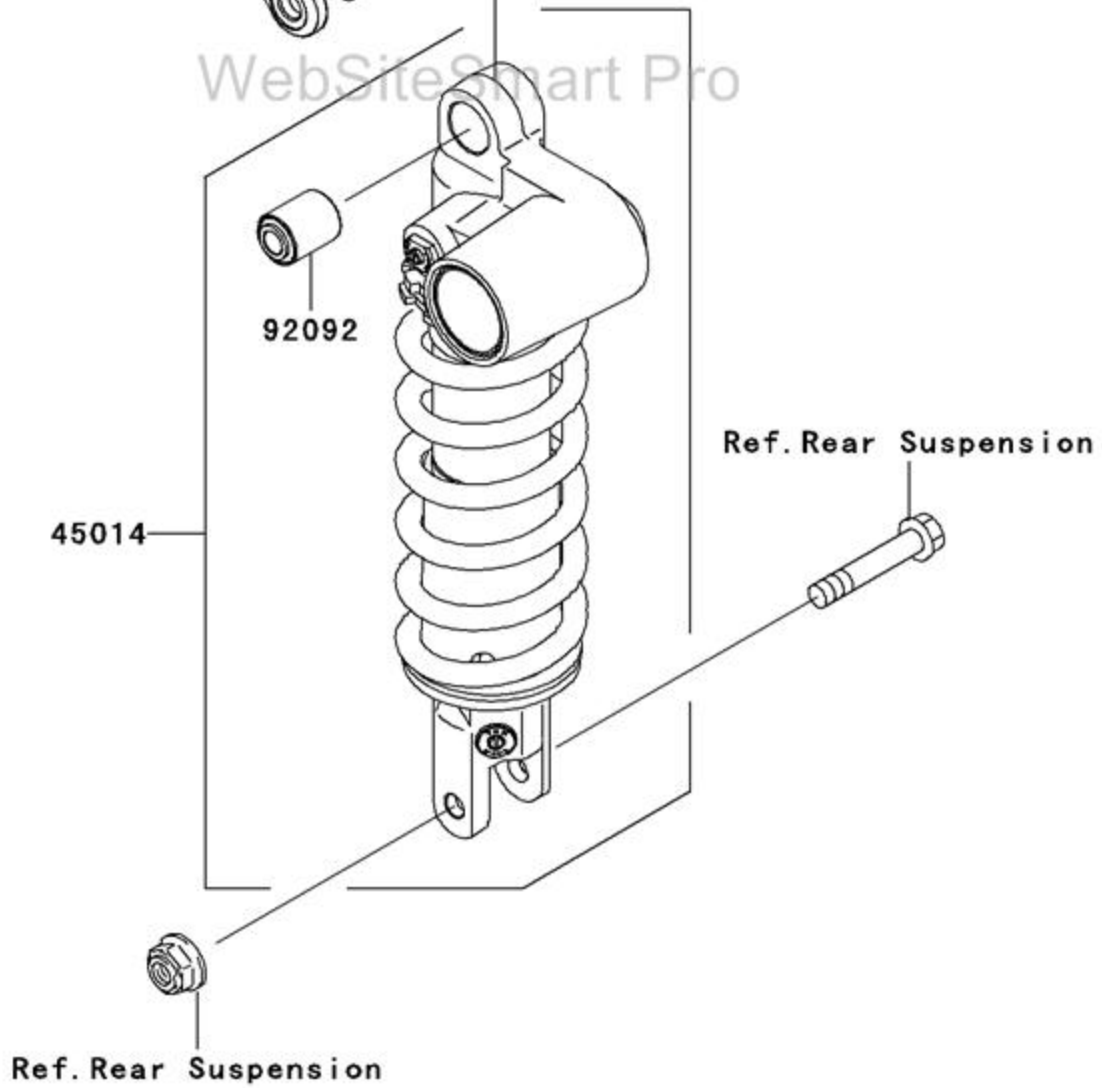


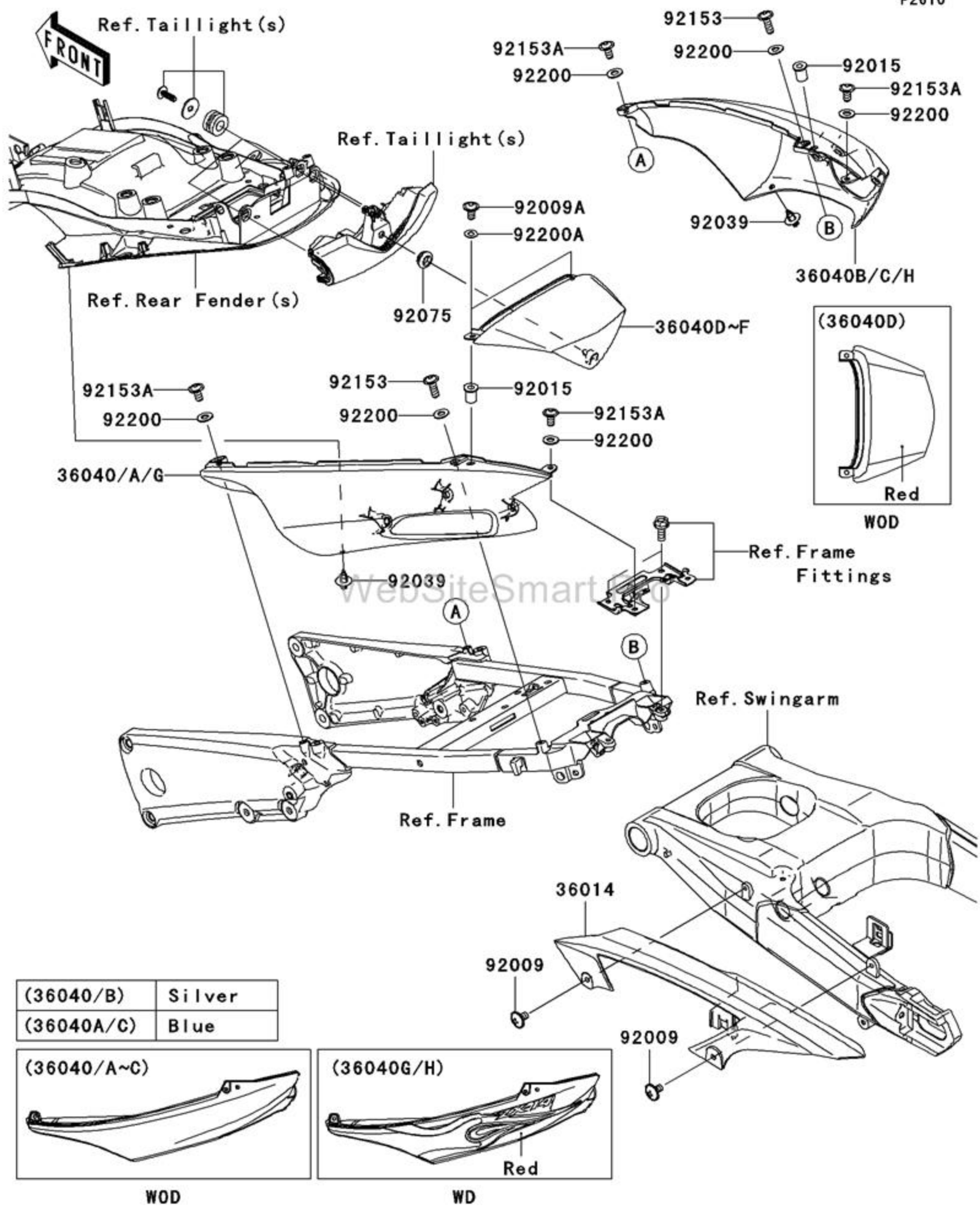
**FRONT**

F2280

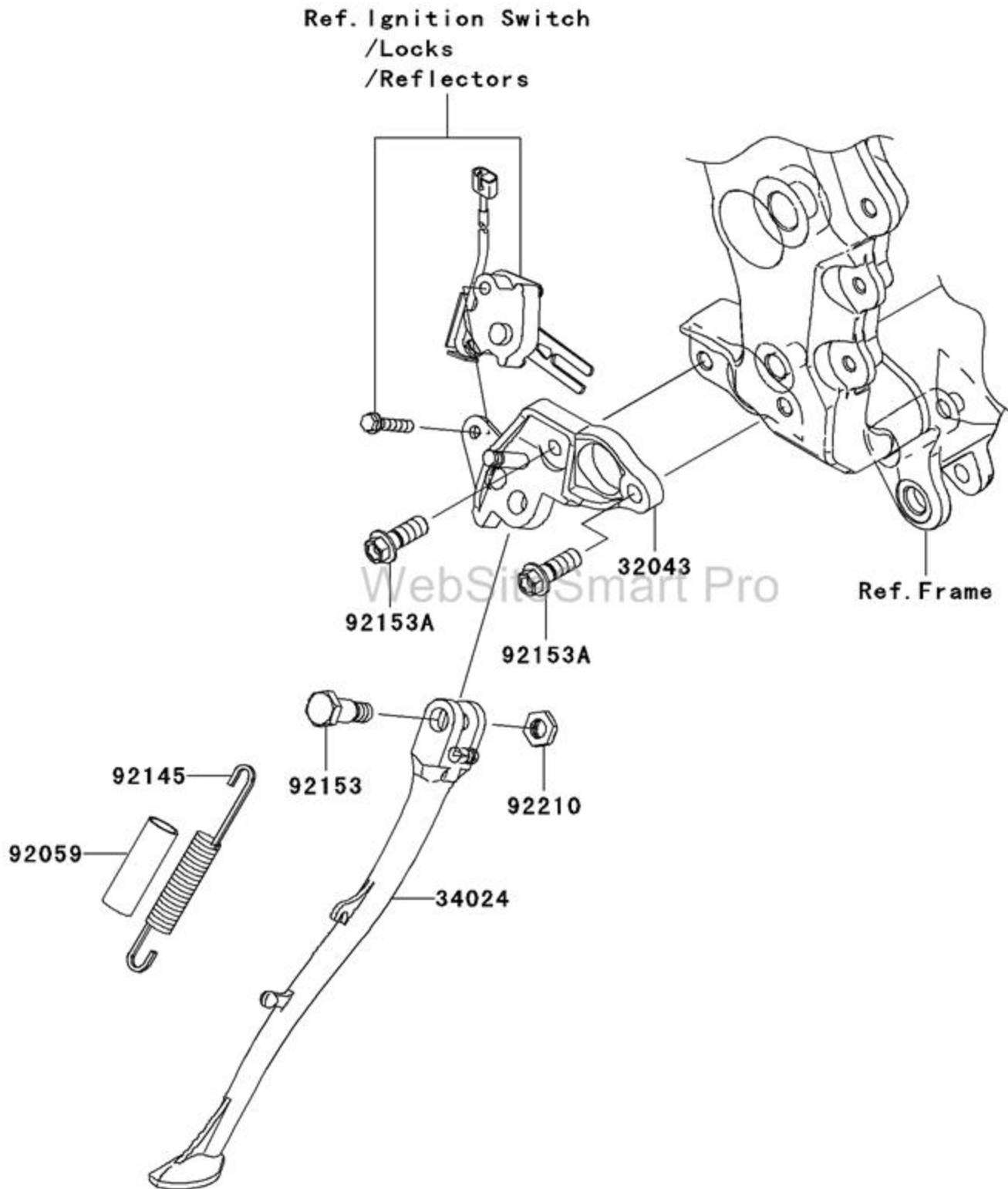


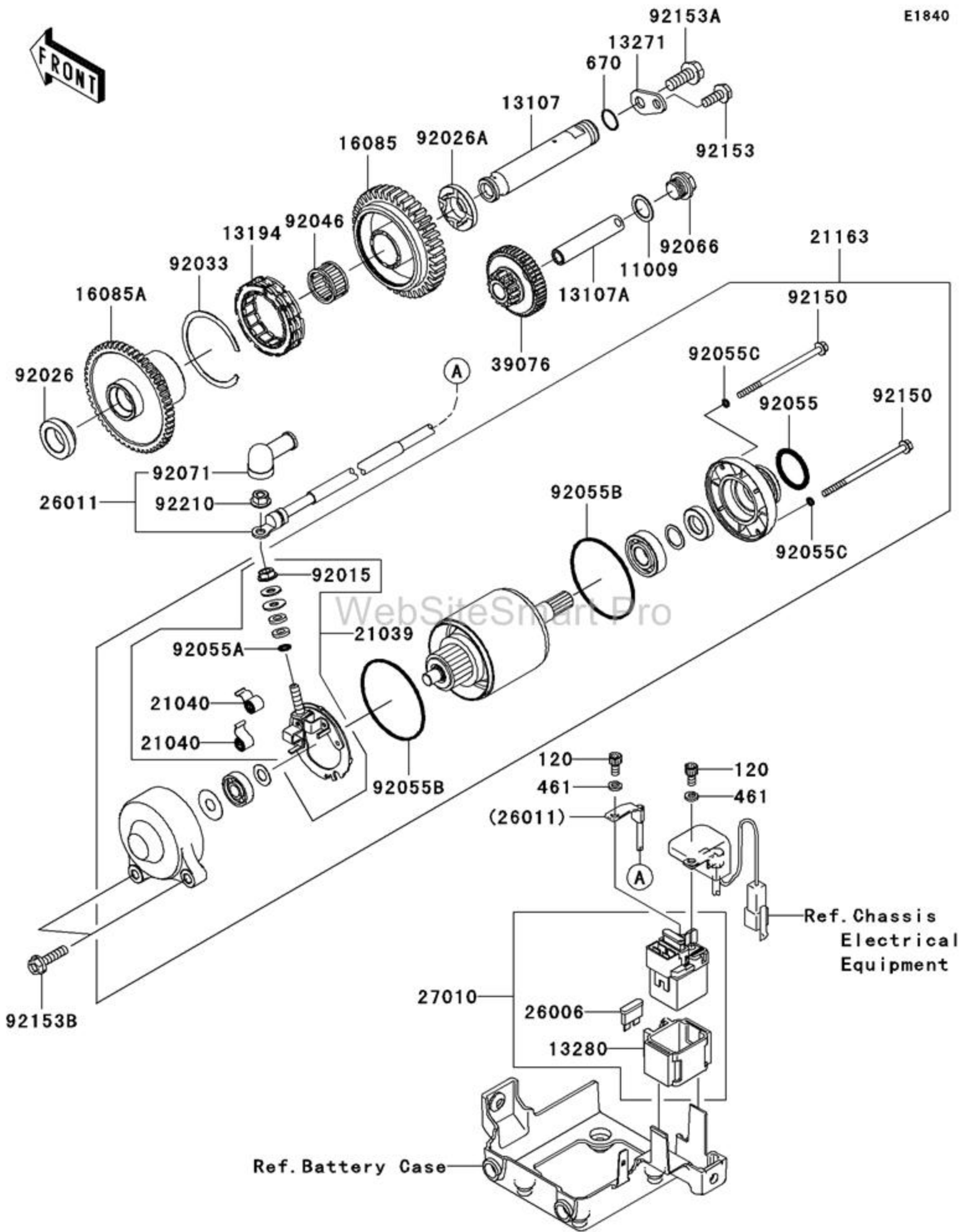
WebSiteSmart Pro

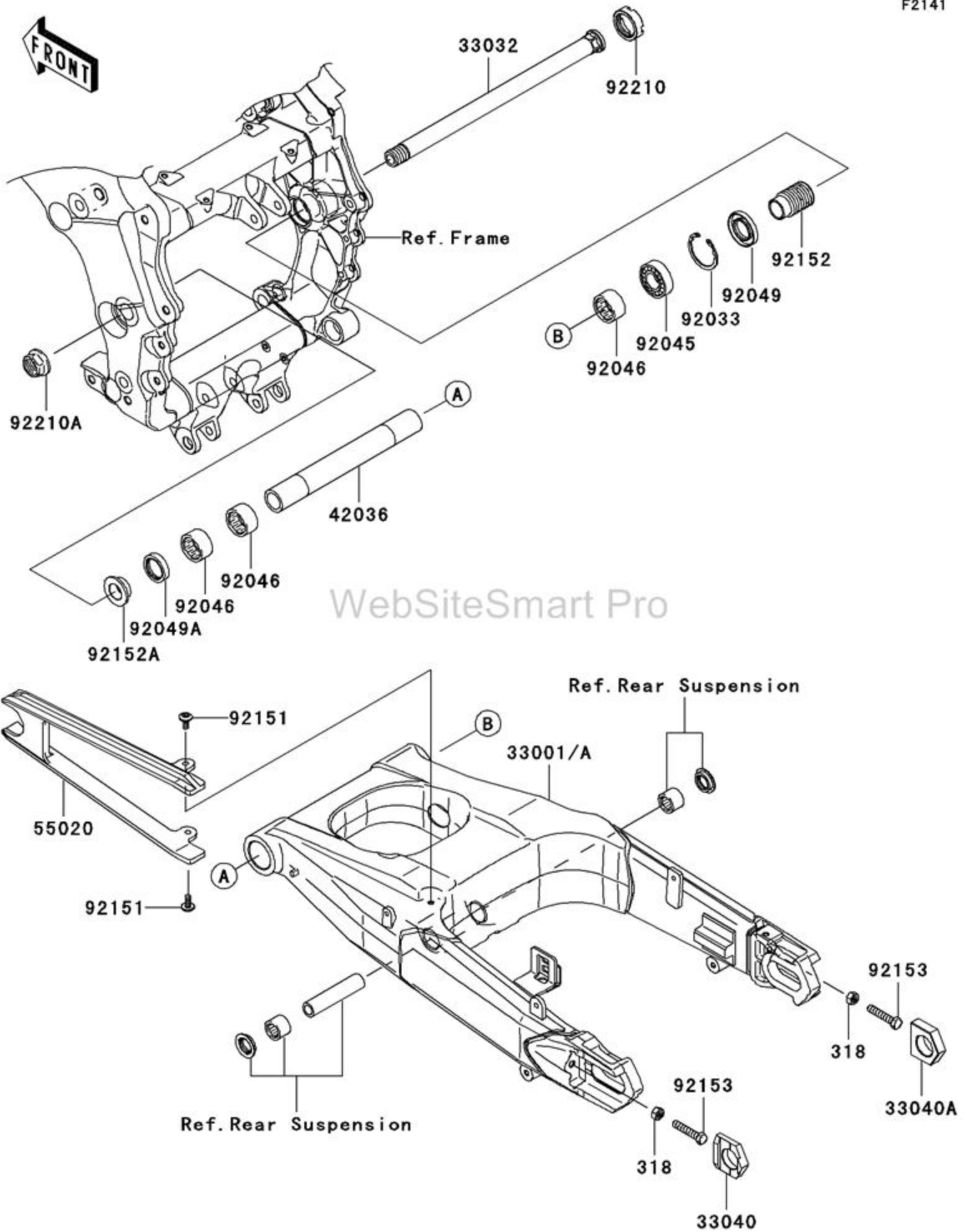


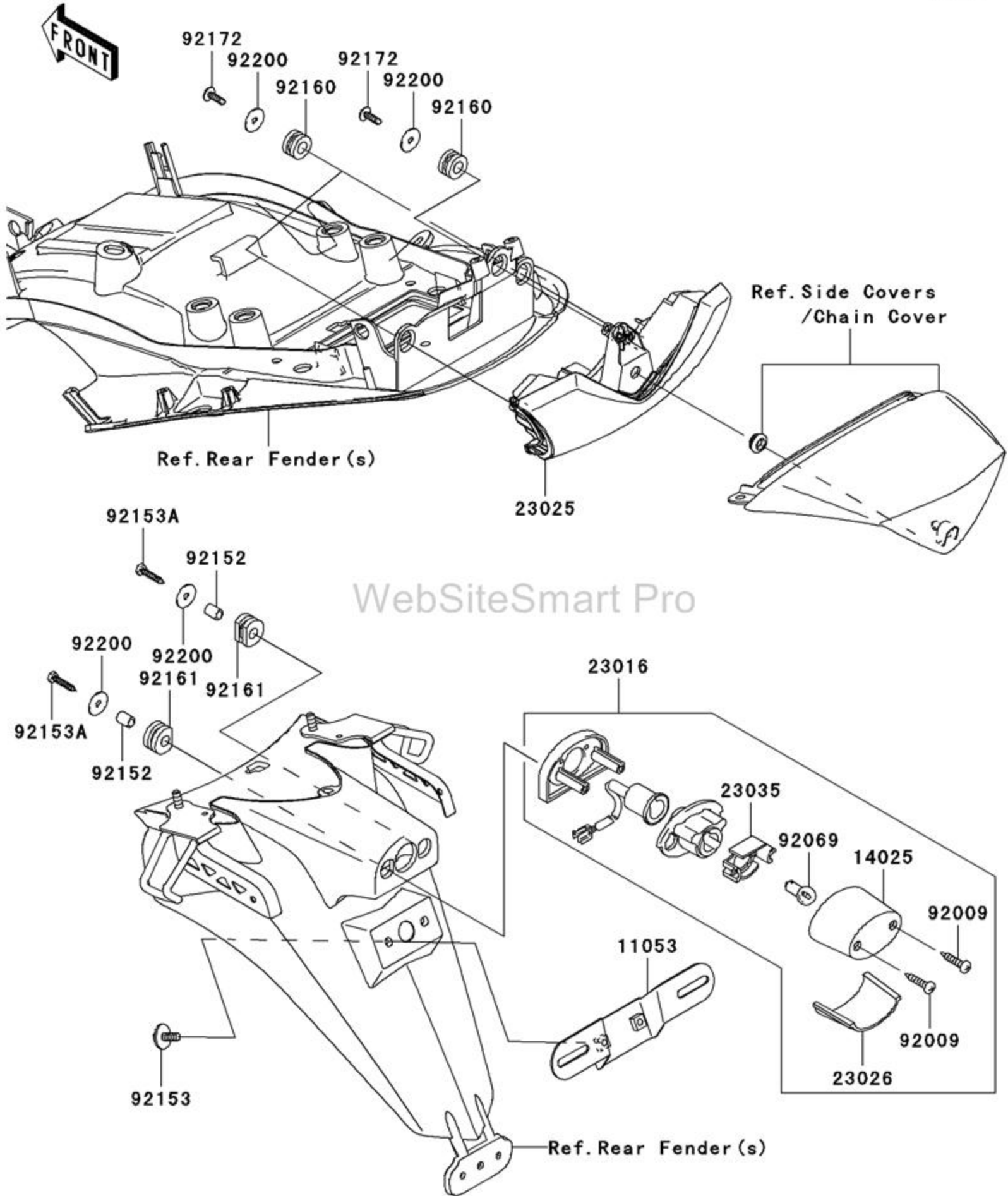




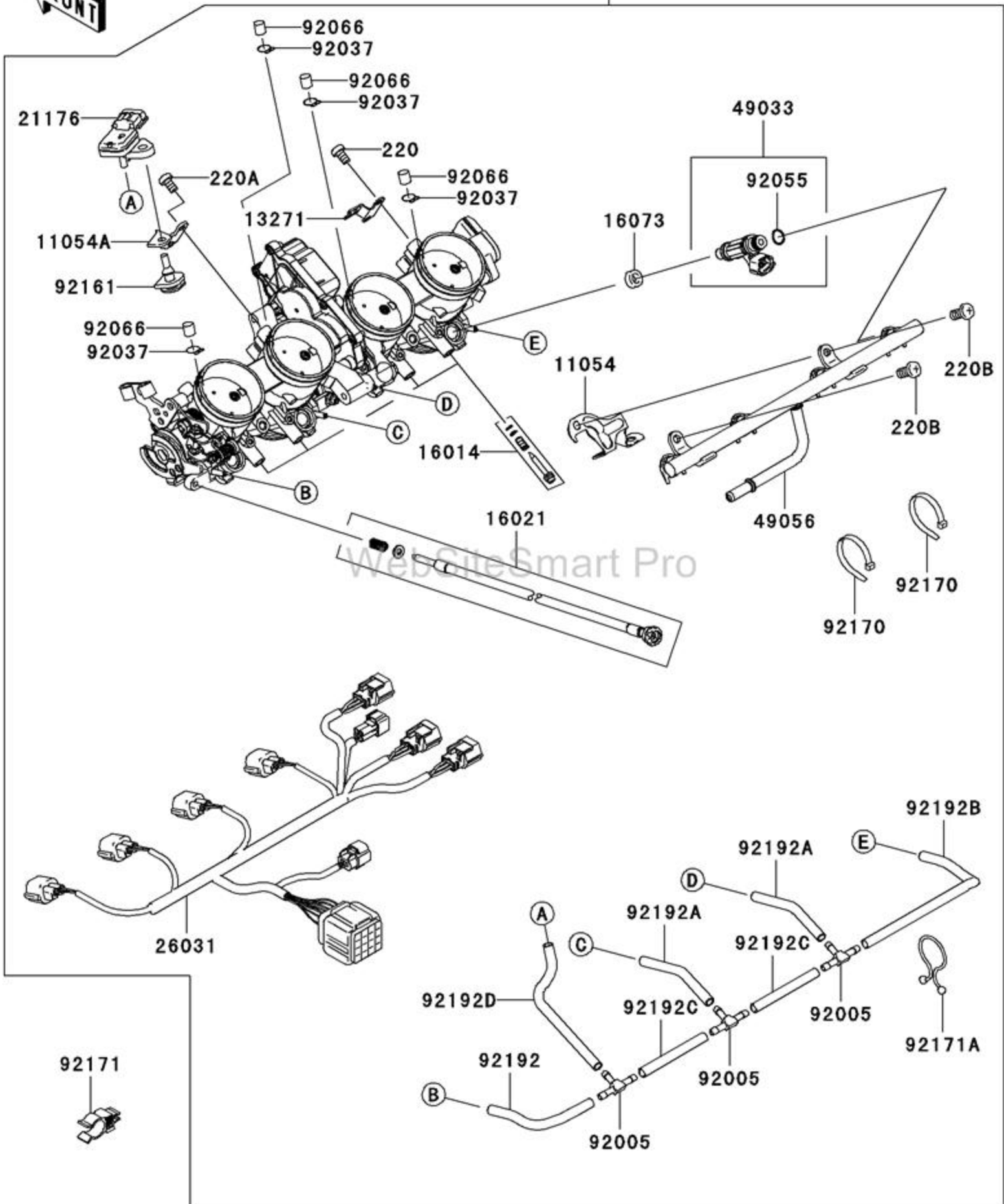


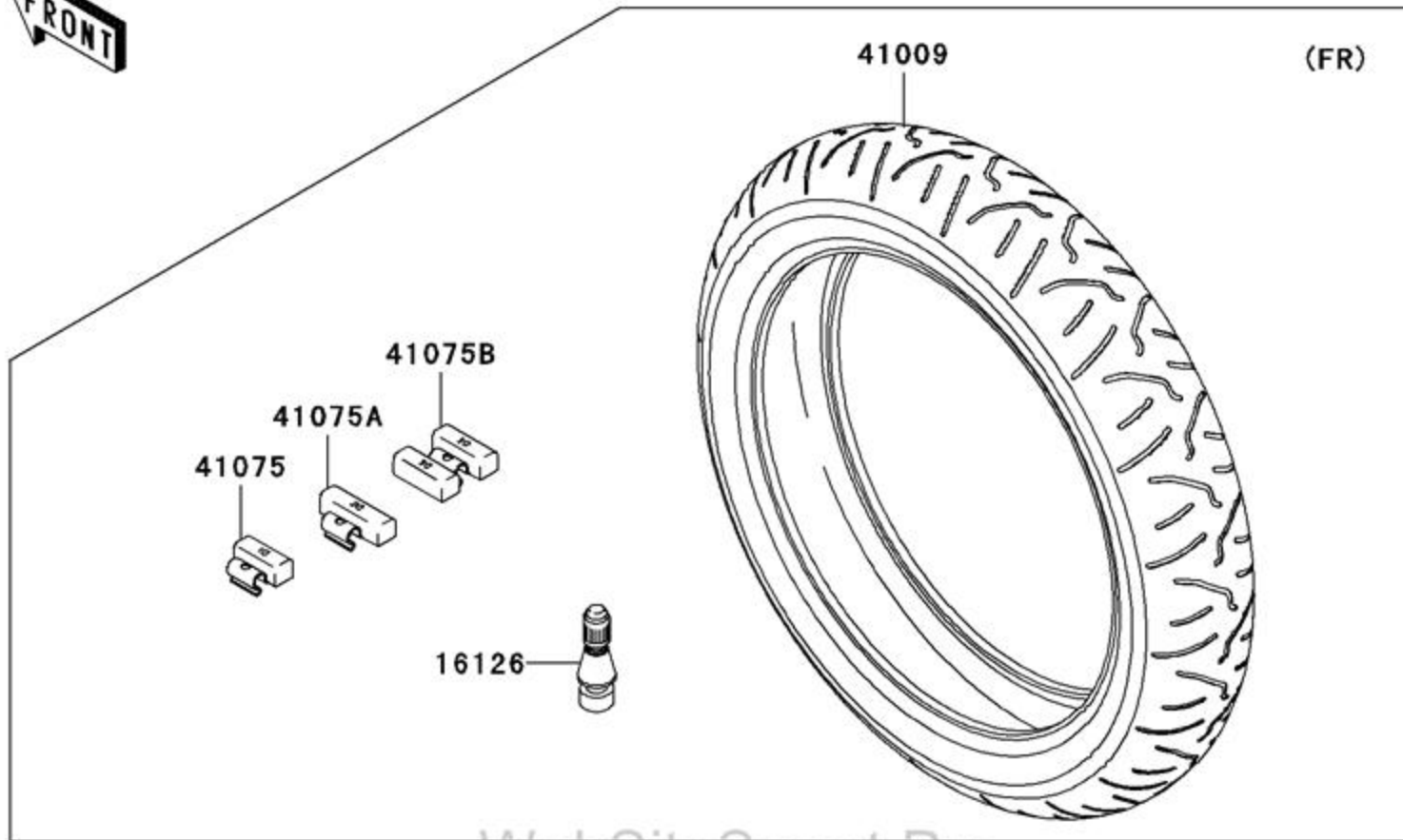






16163





WebSiteSmart Pro

