



INSTALLATION INSTRUCTIONS

MSD Powersports Launch Master PN 4350

Parts Included:

1 - Launch Master, PN 4350

1 - Harness

1 - Velcro strip

Note: The Launch Master is a low-rpm limiter that will not provide nor modify any over-rev protection. The stock high rpm rev-limiter will still be active.

The MSD Powersports Launch Master is a universal low rpm limiter. The Launch Master will provide consistent launches and quicker 60-foot times. RPM adjustments are made via two rotary switches located on the harness side of the unit. The adjustment range is from 1,800 to 9,900 rpm, in 100 and 1000 rpm increments. An LED will illuminate when the launch rev limit is active.

Note: It is recommended to have the service manual for your motorcycle.

MOUNTING

The Launch Master can be mounted in any position but keep in mind to mount it so the rotary dials are accessible for adjustments. A section of Velcro is supplied for mounting. Double sided tape or tie wraps are also recommended depending on the final mounting area. Before mounting the unit, confirm that the wiring harnesses reach their connections.

WIRING	
4-WIRE CONNECTOR	
TAN	Signal Connections.
4-WIRE CONNECTOR	
RED	12-Volt Connection through this single Red wire.
3-WIRE CONNECTOR	
BLACK	Connects to a good engine ground or the negative battery terminal.
BLUE	Activation Wire. When grounded, the launch feature will be active. The harness is supplied from MSD for a ground activation.
WHITE/BLUE	Activation Wire. When switched to 12 volts, the launch feature will be active. (The position of the blue wire on the connecting 3-pin harness must be moved.) Note: Never connect both the Blue and White/Blue wires at the same time. Note: The stock clutch lever or aftermarket clutch lever with momentary switch can be used to activate the Launch Master.

LED

The built-in LED will illuminate when the ignition is turned On and will turn Off once it recognizes rpm. With the engine running, the LED will illuminate only when the Launch Master is activated.

Note: Refer to your service manual for coil accessibility.

1. Locate and disconnect the 2-pin connectors from each of the four ignition coils.
2. Connect the four 2-pin male connectors to the stock harness and the four 2-pin female connectors of the MSD to the four ignition coils.
3. Connect the 4-pin connector with the single Red wire to the MSD harness with the four Orange wires. Connect the 4-pin connector with the four Tan wires to the MSD harness with the four Green wires.
4. Turn the power On. If the Red LED is on, the unit is connected correctly. If the LED is not On turn the power Off and reverse the two 4-pin connectors and repeat the test. (The LED will turn off once the unit see's rpm.)

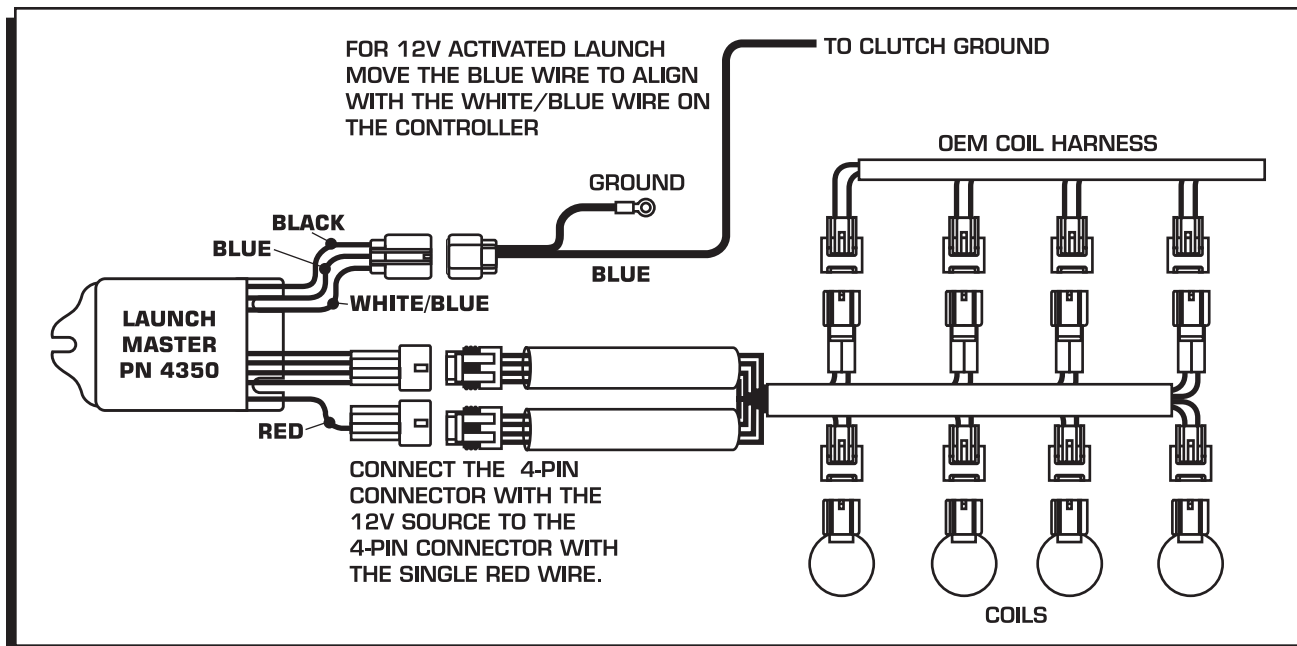


Figure 1 Wiring the Launch Master.

CONNECTING THE LAUNCH WIRE

Most motorcycles have a clutch switch that provides a ground when the clutch is engaged. This is the default wiring of the Launch Master. If you prefer to activate the launch limit with 12 volts, disassemble the 3-pin connector and move the Blue wire to align and connect with the White/Blue wire (Figure 2).

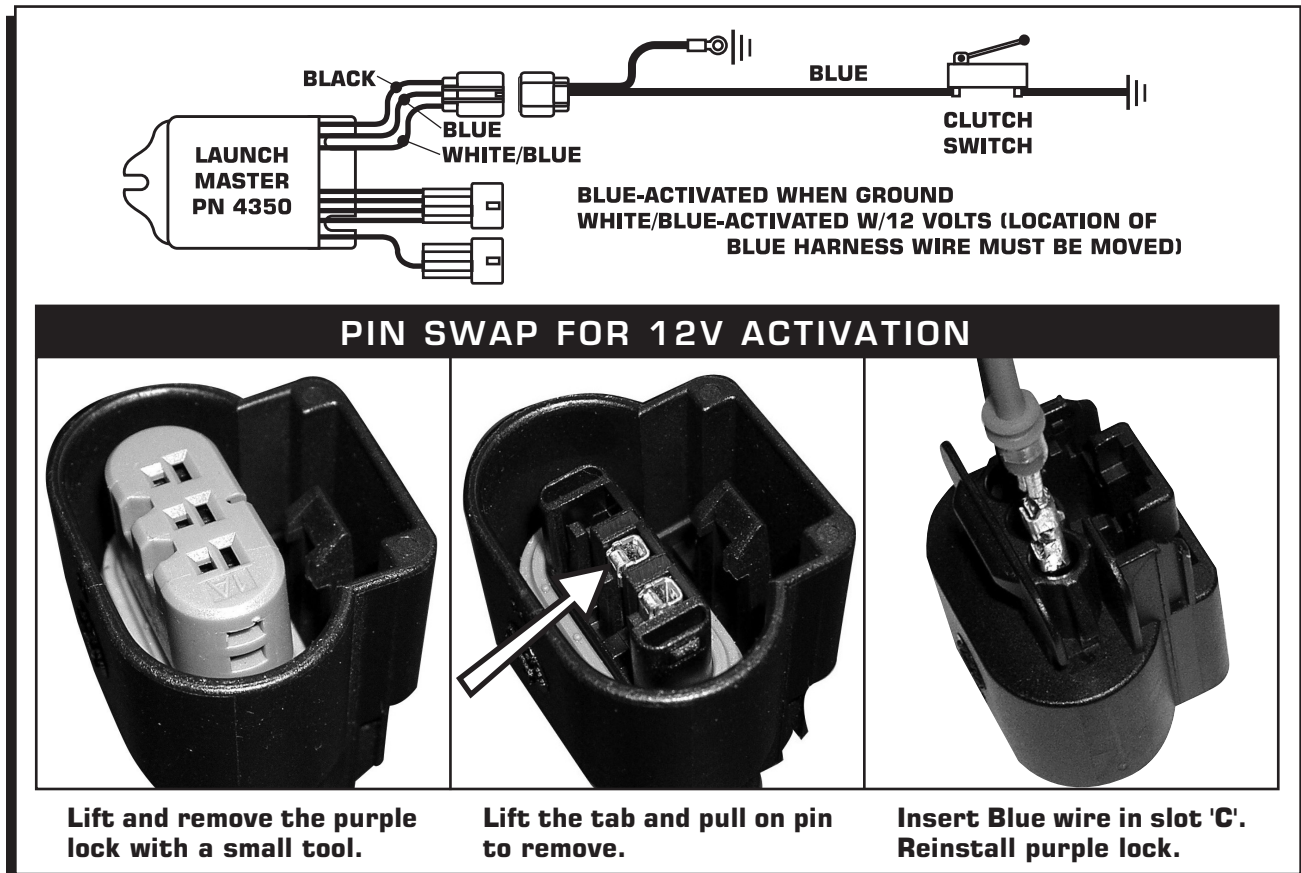


Figure 2 Wiring the Launch Activation Wire.

CONFIRM INSTALLATION

With the engine idling in neutral and the clutch lever released, check the LED - it should NOT be illuminated. If the LED is On the activation wire is connected to the wrong side of the clutch switch. To verify the rpm, set the limit at a lower rpm, such as 3,000, and test the system.

If the engine has trouble starting or running, check the following:

- Ground connection
- Coil connections
- The two 4-pin connectors may be in the wrong position and should be swapped and tested again.

Note: Due to safety controls on some applications, the launch rpm limit may be activated when the bike is in neutral or when the kickstand is down.



INSTALLATION INSTRUCTIONS

TECH NOTES

Service

In case of malfunction, this MSD component will be repaired free of charge according to the terms of the warranty. When returning MSD components for warranty service, **Proof of Purchase** must be supplied for verification. After the warranty period has expired, repair service is based on a minimum and maximum fee.

All returns must have a Return Material Authorization (RMA) number issued to them before being returned. To obtain an RMA number please contact MSD Customer Service at 1 (888) MSD-7859 or visit our website at www.msdpower.com/rma to automatically obtain a number and shipping information.

When returning the unit for repair, leave all wires at the length in which you have them installed. Be sure to include a detailed account of any problems experienced, and what components and accessories are installed on the vehicle. The repaired unit will be returned as soon as possible using Ground shipping methods (ground shipping is covered by warranty). For more information, call MSD at (915) 855-7123. MSD technicians are available from 7:00 a.m. to 5:00 p.m. Monday - Friday (mountain time).

Limited Warranty

MSD warrants this product to be free from defects in material and workmanship under its intended normal use*, when properly installed and purchased from an authorized MSD dealer, for a period of one year from the date of the original purchase. This warranty is void for any products purchased through auction websites. If found to be defective as mentioned above, it will be repaired or replaced at the option of MSD. Any item that is covered under this warranty will be returned free of charge using Ground shipping methods.

This shall constitute the sole remedy of the purchaser and the sole liability of MSD. To the extent permitted by law, the foregoing is exclusive and in lieu of all other warranties or representation whether expressed or implied, including any implied warranty of merchantability or fitness. In no event shall MSD or its suppliers be liable for special or consequential damages.

*Intended normal use means that this item is being used as was originally intended and for the original application as sold by MSD. Any modifications to this item or if it is used on an application other than what MSD markets the product, the warranty will be void. It is the sole responsibility of the customer to determine that this item will work for the application they are intending. MSD will accept no liability for custom applications.