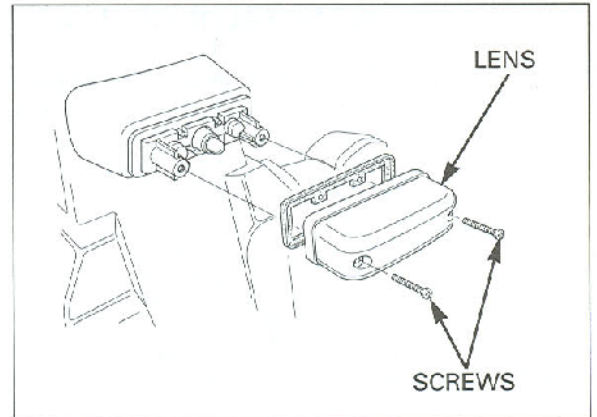


LICENSE LIGHT

BULB REPLACEMENT

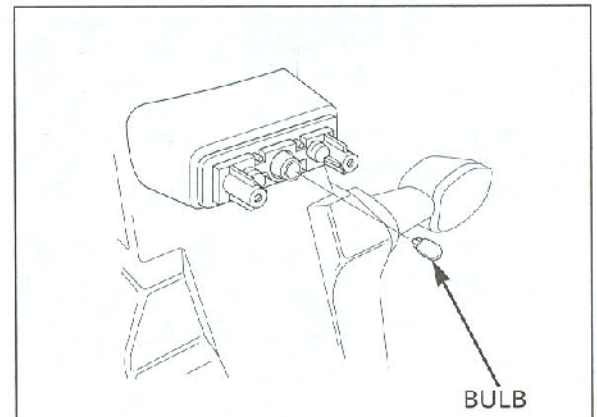
Remove the screws and license light lens.

Align the tail/brake light unit tabs with the bracket holes.



Remove the license light bulb and replace with a new one.

Install the tail/brake light lens in the reverse order of removal.

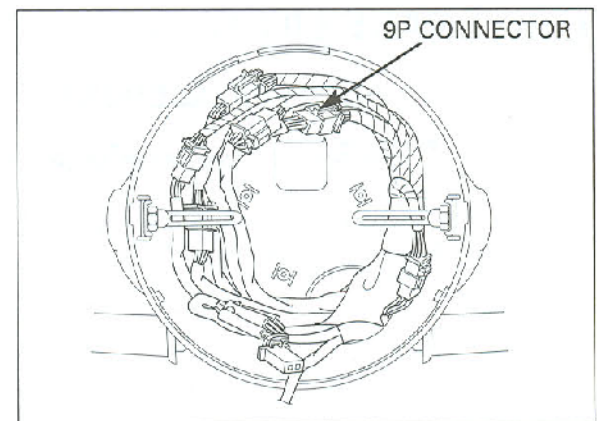


COMBINATION METER

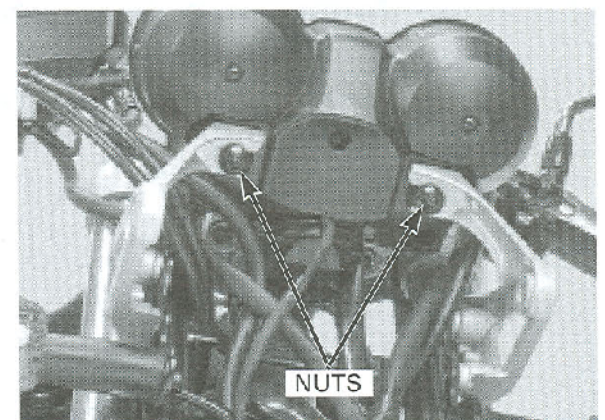
REMOVAL

Remove the headlight case (page 19-5).

Disconnect the combination meter 9P connectors.

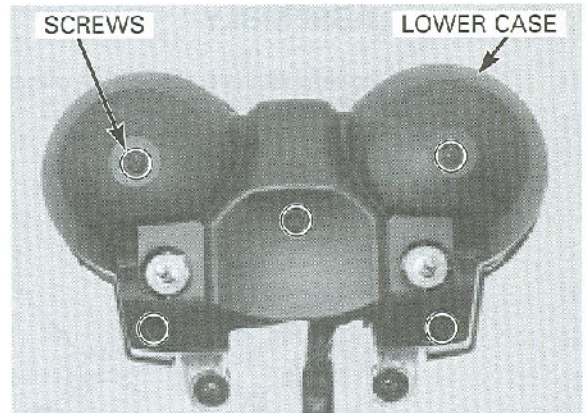


Remove the combination meter mounting nuts and combination meter.

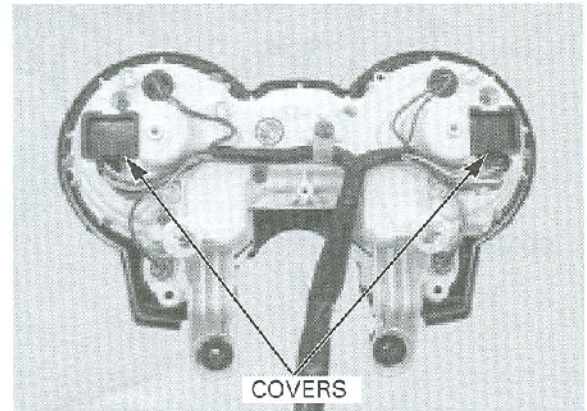


DISASSEMBLY

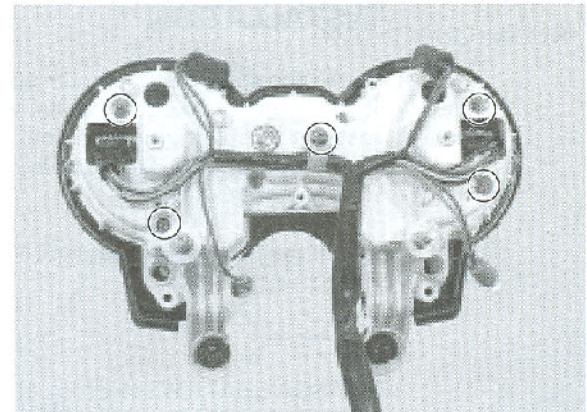
Remove the screws and combination meter lower case.



Remove the rubber cover and bulb sockets.

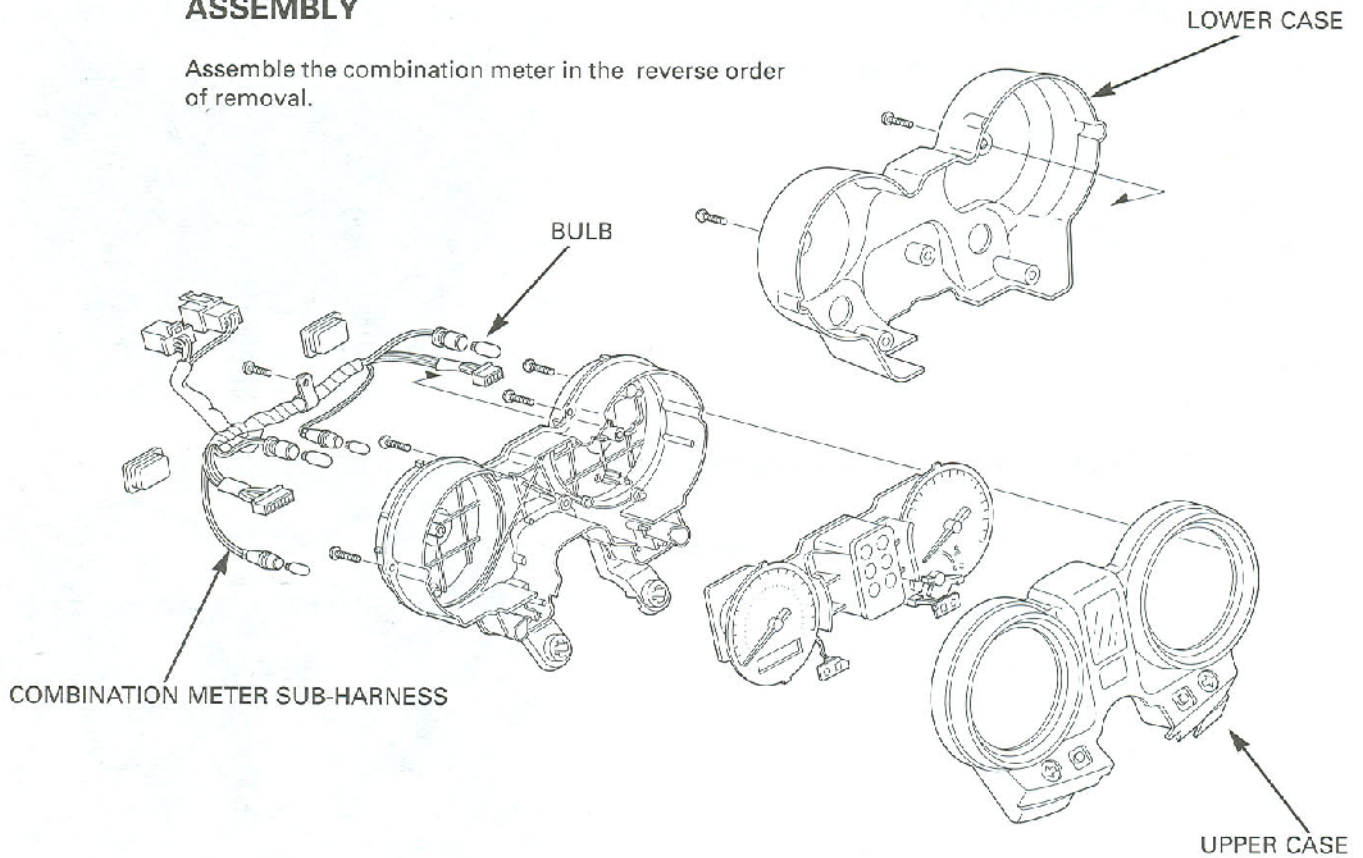


Remove the screws and combination meter upper case.



ASSEMBLY

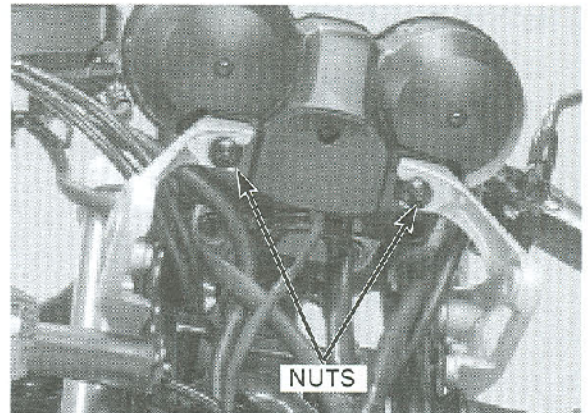
Assemble the combination meter in the reverse order of removal.



INSTALLATION

Install the combination meter onto the stay.
If you remove the rubber collar which is on the stay, install it to the original position.
Install and tighten the combination meter mounting nuts securely.

Install the headlight case (page 19-5).



Connect the combination meter 9P connectors.

