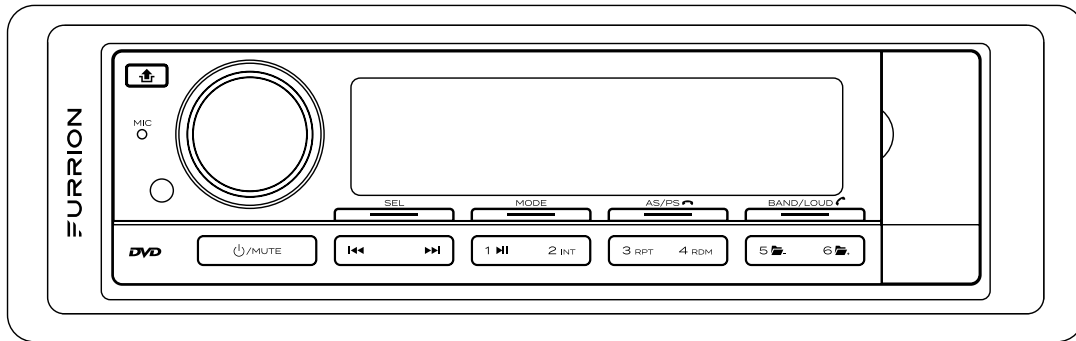


FURRION

DV5700

INSTRUCTION MANUAL



DVD Stereo
180W/CD/DVD/Radio/MP3
USB/AUX-IN
Subwoofer Out/Bluetooth



WELCOME

Thank you for purchasing this Furrion® DVD Stereo. Before operating your new appliance, please read these instructions carefully. This instruction manual contains information for safe use, installation and maintenance of the appliance.

Please keep this instruction manual in a safe place for future reference. This will ensure safe use and reduce the risk of injury. Be sure to pass on this manual to new owners of this appliance.

The manufacturer does not accept responsibility for any damages due to not observing these instructions.

If you have any further questions regarding our products, please contact us at **support@furrion.com**

BEFORE YOU BEGIN

PRECAUTIONS:

CAUTION:

USE OF CONTROLS OR ADJUSTMENT OR PERFORMANCE OF PROCEDURES OTHER THAN THOSE SPECIFIED HEREIN MAY RESULT IN HAZARDOUS RADIATION EXPOSURE.

THE USE OF OPTICAL INSTRUMENTS WITH THIS PRODUCT WILL INCREASE EYE HAZARD.

- Keep this manual handy as a reference for operating procedures and precautions.
- Always keep the volume low enough so you can hear sounds outside of the car.
- Protect this product from moisture.
- If the battery is disconnected or discharged, the preset memory will be erased and must be reprogrammed.

FEATURES:

DVD

Supported DVD-video, DVD+/-R, DVD+/-RW and DVD+/-DL.

VCD

Supported VCD featuring PBC (playback control).

CD

Supported CD, CD-R and CD-RW.

TV System

This unit is PAL/NTSC system compatible. When connecting other components to this unit, be sure components are compatible with the same video system or else images will not be correctly reproduced.

Aspect Ratio Selection

Switching between wide screen, letter box and panscan display is possible.

Audio Selection

You can switch between multiple audio systems recorded on a DVD as desired.

Subtitle Selection

You can switch between multiple subtitle languages recorded on a DVD as desired.

When an operation is prohibited

When you are watching a DVD and attempt to perform an operation, it may not be supported by the programming on the disc. When this happens, this unit indicates on the screen.

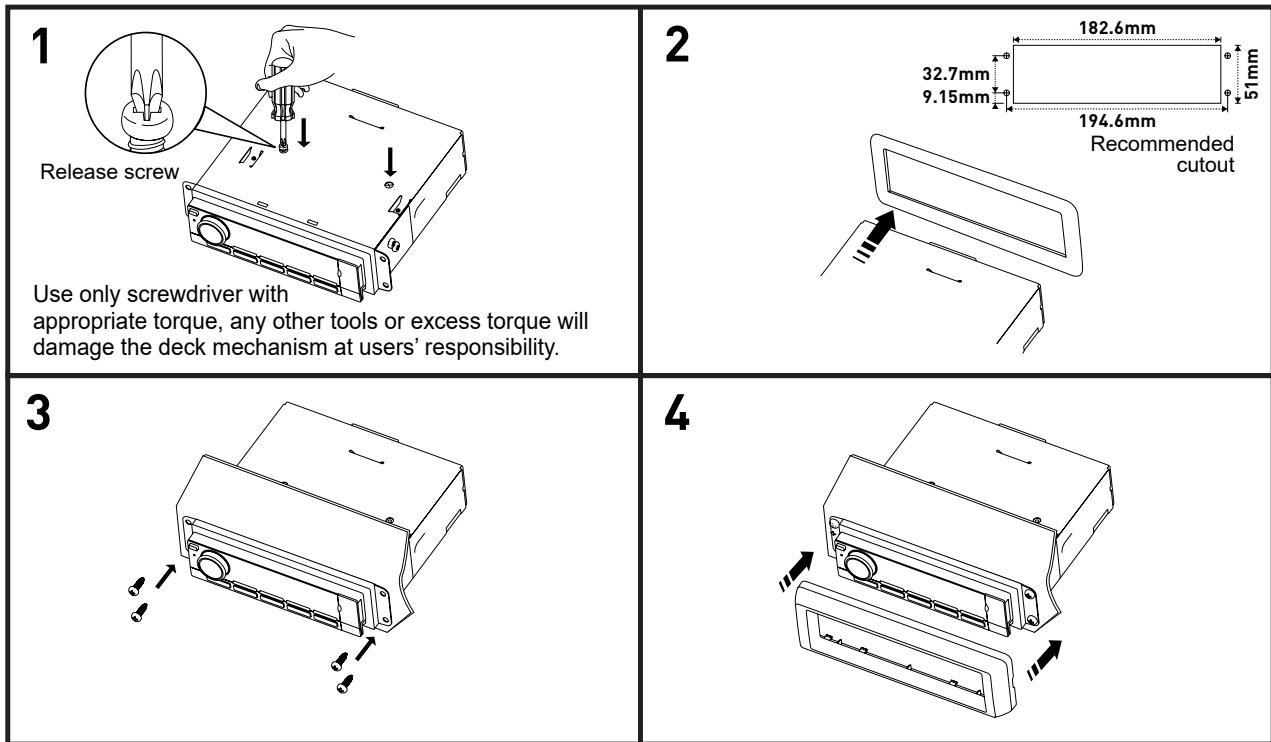
INSTALLATION GUIDE

Location

- Choose a mounting location away from humid areas, water sources, appliances or any equipment that can radiate heat.
- Select an area on a wall or cabinet which is free from cable, fuel or brake lines and ensure that area behind the wall mount stereo has a vent hole or if it is an enclosed box and has adequate room around the rear of the unit for cooling.
- Ensure when the stereo is mounted in the cut out that the wires at the rear of the unit are not pressed against the heat sink.

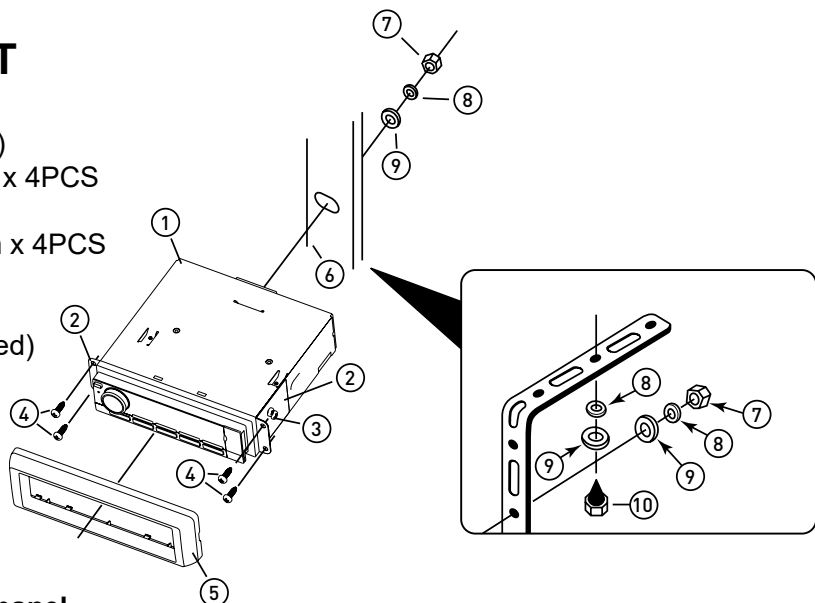
Installing the unit

- Before finally installing the unit, connect the wiring temporarily and make sure the unit and the system work properly.
- Fix the unit with screws according to following diagram.



TO SUPPORT THE UNIT



1. UNIT (included)
2. MOUNTING BRACKET (included)
3. MOUNTING SCREW CM5X8mm x 4PCS (included)
4. MOUNTING SCREW PA5X16mm x 4PCS (included)
5. TRIM COVER (included)
6. REAR SUPPORT STRAP (included)
7. HEX NUT (included)
8. LOCK WASHER (included)
9. PLAIN WASHER (included)
10. TAPPING SCREW PA5X16mm (included)

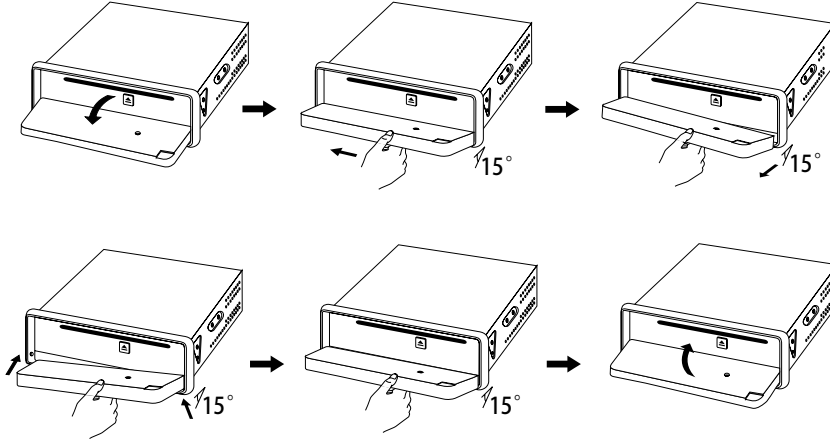


Detaching and attaching the front panel

The front panel of this unit can be detached in order to prevent the unit from being stolen.

FOLDING DOWN AND DETACHING/ATTACHING THE FRONT PANEL


Before detaching the front panel, be sure to press the  button to turn OFF the unit first. Then press the Release button  detach the panel by pulling it towards you as illustrated.



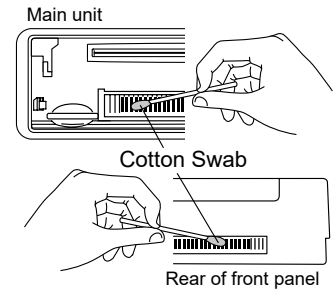
Notes:

- Do not press the front panel hard against the unit when attaching it. It can be easily attached by pressing it lightly against the unit.
- Do not press hard or give excessive pressure to the LCD display of the front panel when attaching it to the unit.

CLEANING THE CONNECTOR

The unit may not function properly if the connectors between the unit and the front panel are contaminated with dirt. In order to prevent this from happening, detach the front panel by pressing the  button and clean the connector from time to time.

Clean the connector with a cotton swab together with contact cleaner(not included.) as illustrated. Be sure to clean them carefully pin by pin and make sure not to damage the connecting points.



WIRE CONNECTION GUIDE

Audio Output:

Left (White) and Right (Red)

Audio Input:

Left (White) and Right (Red)

Subwoofer Output: Green

Video Output: Yellow

Connect to external A/V system to display

Bluetooth Antenna: Black

Note: Red Wire must be connected by car ignition key in order to avoid the car battery being drained when the car will be not used for long period.

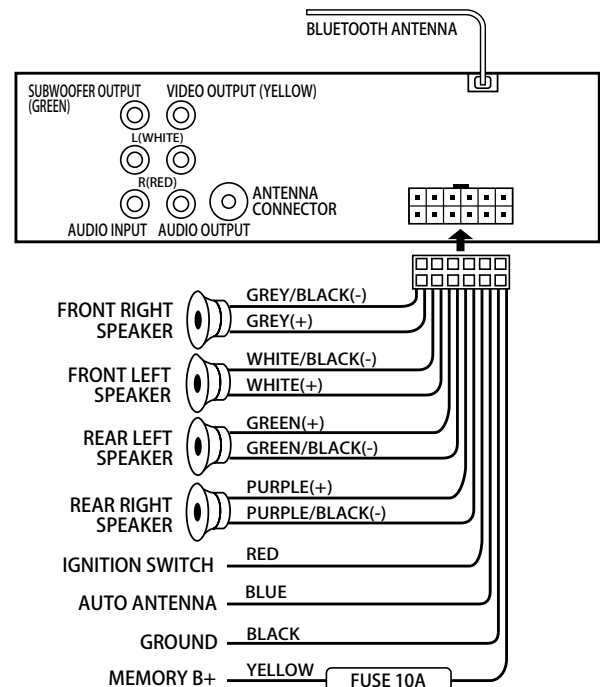
Maintenance

FUSE REPLACEMENT

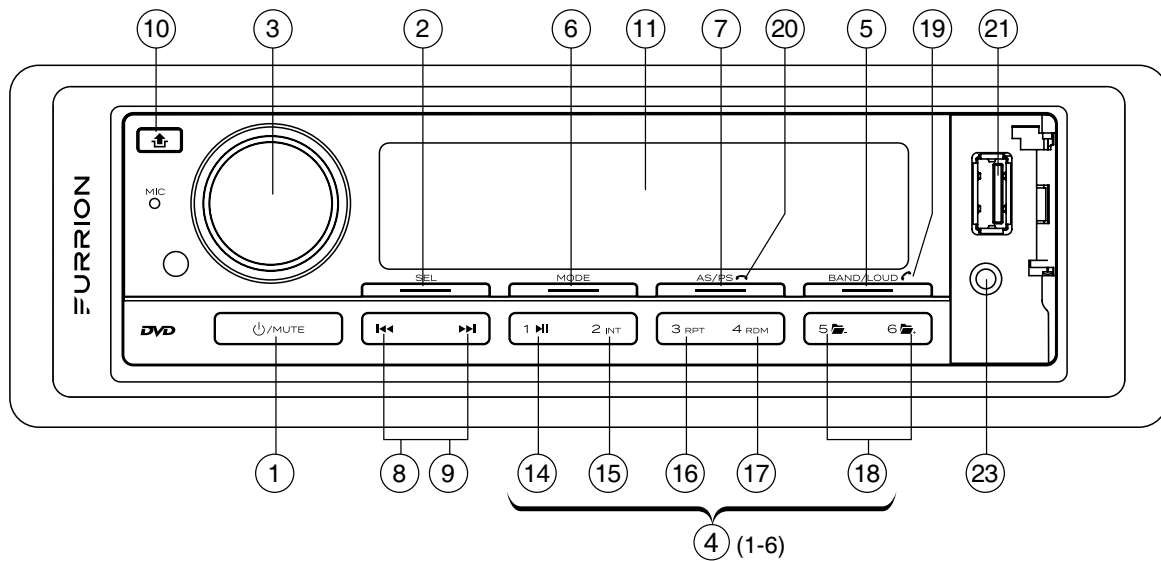
If the fuse blows, check the power connection and replace the fuse. If the fuse blows again after the replacement, there may be an internal malfunction. In this case, consult your nearest repair center.

Warning

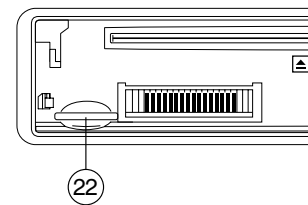
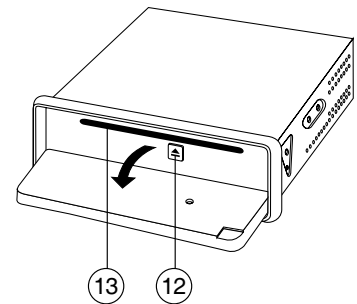
Use the specified fuse amperes for each lead. Use of a higher fuse amperes may cause serious damage.



Locations of Parts (Main unit)

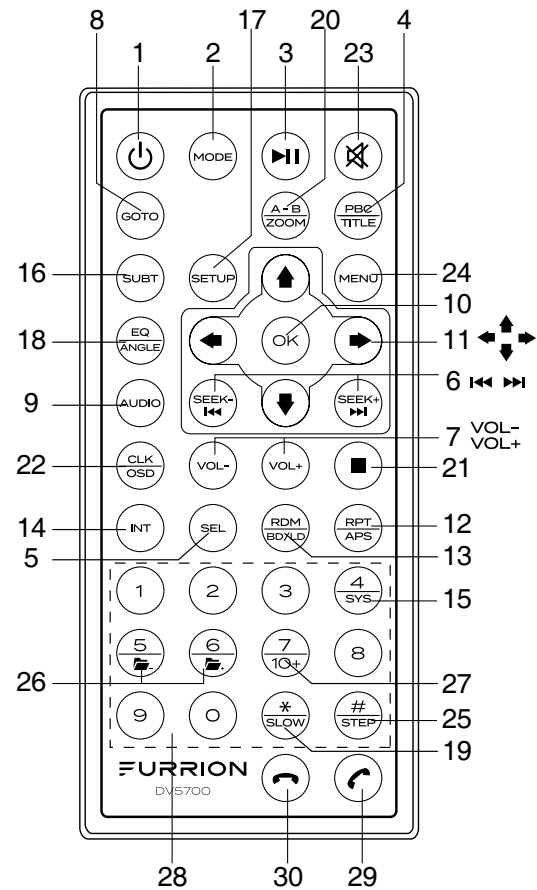


1. POWER ON/OFF (⏻) / MUTE BUTTON
2. SELECT FUNCTION BUTTON (SEL)
3. VOLUME KNOB
4. PRESET STATIONS (1,2,3,4,5,6) BUTTON
5. BAND / LOUDNESS BUTTON
6. MODE / SUBWOOFER BUTTON (MODE)
7. AUTO SEEK/PRESET SCAN BUTTON (AS/PS)
8. PREVIOUS/NEXT TRACK/CHAPTER BUTTON (⏮ / ⏭)
9. AUTO SEEK TUNING BUTTON
10. FRONT PANEL RELEASE BUTTON (📶)
11. LCD DISPLAY
12. DISC EJECT BUTTON (⏏)
13. DISC SLOT
14. PLAY/PAUSE BUTTON
15. INTRO BUTTON (INT)
16. REPEAT BUTTON (RPT)
17. RANDOM BUTTON (RDM)
18. SEARCH PREVIOUS / NEXT FOLDER BUTTON (⏮ / ⏭)
19. ANSWER BUTTON (📞)
20. HANG UP BUTTON (📞)
21. USB PORT
22. MEMORY CARD SLOT (SD/MMC)
23. AUX IN



Locations of Parts (Remote Control)

1. POWER ON/OFF
2. MODE
3. PLAY/PAUSE
4. TITLE / PLAYBACK CONTROL (PBC)
5. SELECT (SEL)
6. SEEK+/SEEK- / PREVIOUS/NEXT TRACK/CHAPTER
7. VOL +/VOL-
8. GOTO
9. AUDIO
10. OK
11. UP/DOWN/LEFT/RIGHT
12. REPEAT/AUTO SEEK/PRESET SCAN
13. RANDOM / BAND / LOUDNESS
14. INTRO
15. SYSTEM (PAL/NTSC)
16. SUBTITLE
17. SETUP
18. EQUALIZER / ANGLE
19. SLOW MOTION
20. A-B REPEAT/ZOOM
21. STOP
22. CLOCK / ON SCREEN DISPLAY
23. MUTE
24. MAIN MENU
25. STEP (FRAME BY FRAME PLAYBACK)
26. PREVIOUS/NEXT FOLDER
27. TWO DIGIT TRACKS SEARCHS
28. PHONE NUMBER
29. ANSWER
30. HANG UP

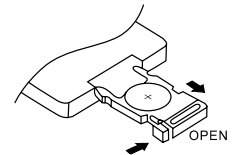


Use and care of the remote control

Installing the battery

Slide the tray out on the back of the remote control and insert the battery with the plus (+) and minus (-) poles pointing in the proper direction.

- When using for the first time, pull out the film protruding from the tray.



CAUTIONS

- Remove the battery if the remote control is not used for a month or longer.
- Do not recharge, disassemble, heat or dispose of the battery in a fire.
- Do not store the battery with metallic materials.
- In the event of battery leakage, wipe the remote control completely clean and install a new battery
- When disposing of used batteries, please comply with government regulations or environmental public institution's rule that apply in your country/area.
- Always check carefully that you are loading the battery with plus (+) and minus (-) poles facing the proper directions.

Using the remote control

Point the remote control in the direction of the front panel to operate.

IMPORTANT

- Do not store the remote control in high temperatures or direct sunlight.
- Do not let the remote control fall onto the floor, where it may become jammed under the brake or accelerator pedal.

WARNING

Do not ingest the battery, Chemical Burn Hazard

(The remote control supplied with) This product contains a coin/button cell battery. If the coin/button cell battery is swallowed, it can cause severe internal burns in just 2 hours and can lead to death.

Keep new and used batteries away from children.

If the battery compartment does not close securely, stop using the product and keep it away from children.

If you think batteries might have been swallowed or placed inside any part of the body, seek immediate medical attention.

GENERAL OPERATIONS

Turning the unit ON/OFF (⏻)


Press “ ⏻ ” button to turn on unit. To turn off, press and hold this button for 2 seconds.

Selecting a source (MODE)

Press **MODE** repeatedly to switch between TUNER, DISC, USB, SD, Bluetooth and AV IN mode.

Loading a disc



Make sure power is turned ON before inserting a disc.

1. Press  to open the front panel
2. Insert a disc into the disc slot

Ejecting a disc

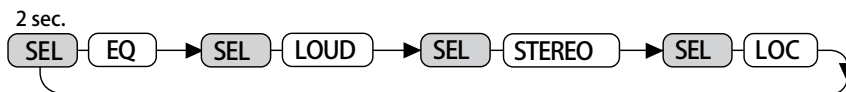
Make sure power is turned ON before ejecting a disc. Press  button to eject disc.

Adjusting Volume/Bass/Treble/Balance/Fader

- Unit: Turning the VOL knob Right or Left. Increase or decrease the volume by turning  or  . Press the SEL button briefly until the BASS, TREBLE, BALANCE and FADER function.
- Remote Control: Press **VOL+** or **VOL-** to increase or decrease volume.

Further settings via the Select Function Button (SEL)

Press and hold **SEL** button to adjust EQ/LOUD/STEREO/LOCAL:



EQ CONTROLS

Turn **VOL** knob to select FLAT/CLASS/ROCK/CINEMA.

LOUDNESS

Turn **VOL** knob to select LOUD ON/OFF.


STEREO/MONO

Turn **VOL** knob to select STEREO/MONO. When reception of an FM station is weak, listening quality can be improved by switching to mono sound.

LOCAL/DX

Turn **VOL** knob to select LOCAL/DX. At LOCAL the LCD Display shows LOC ON, at DX(Distant) the LCD Display shows LOC OFF. “Local” position in areas with strong signals to let radio stop at only strong stations during manual tuning (LOC appears). Press to Distant position in areas with weak signals to listen to all stations.



Mute

- Unit: Press “ ⏻/MUTE ” button once to mute the sound, press again to resume.
- Remote Control: Press  button to mute the sound at once. Press again to return to previous volume level.

Loudness

- Unit: Press and hold **BAND/LOUD** button to turn on/off LOUDNESS feature.
- Remote Control: Press and hold **LD** button on remote control to turn on/off LOUDNESS feature.

Equalizer

Remote: Press **EQ** button. Press EQ again or ( / ) button to select between Flat/Classic/Cinema/Rock/EQ Off equalize modes.

Subwoofer

- Press Unit: and hold **MODE** button to turn on/off subwoofer.

Clock Setting (only Radio mode)

1. Press **CLK** button on remote control.
2. Press and hold **CLK** button again.
3. Turn **VOL** knob on unit to adjust hours. Press **CLK** button and Turn **VOL** knob on unit to adjust minutes.
4. Press **OK** button on remote control.

LISTENING TO RADIO

Band

Press **BAND** button on unit or **BD** button on remote control repeatedly will toggle cyclically between each band. FM1--FM2--FM3--AM1--AM2.

Automatic or Manual tuning (◀◀ / ▶▶)

MANUAL TUNING: Press and hold ◀◀ / ▶▶ button 2 sec. until MANUAL show on the display. Press ◀◀ / ▶▶ button to adjust by channel step frequency.

AUTOMATIC TUNING: Press ◀◀ / ▶▶ button are operated as auto seek tuning.

Auto Seek/Preset scan (AS/PS)

Preset Scan - By pressing **AS/PS** button shortly, the radio plays each preset station for 5 seconds.

Auto Seek - By pressing **AS/PS** button longer than 1 sec, auto seek is activated. The strong stations are preset and stored in the corresponding preset number. When Auto Seek operation is finished, the radio executes the preset scan.

Storing and Recalling Frequencies




If you press any of the NUMBER (1-6) you can easily store up to six broadcast frequencies for later recall with the touch of a button.

1. Choose a desired BAND.
2. When you find a frequency that you want to store in memory, press a NUMBER(1-6) and hold until the preset number shows and lit in the display.
3. The selected radio station frequency has been stored in memory. The next time you press the same NUMBER (1-6) the radio station frequency is recalled from memory.

Note: Up to 6 stations can be stored in each band.

Switching between USA/AUSTRALIA frequency tuning

How to switch between the two frequencies.

1. In Radio mode, press and hold (BAND/LOUD) button for 2 seconds. Immediately follow by press  →  →  to change USA/Australia frequency.
2. Turn power OFF and ON again.
3. In radio mode, tune to any station using MANUAL tune mode, you will notice that the channel step has change.

Note: Default setting is set to USA frequency.

PHOTO Viewing:

Unit:

Files search for stop mode:

1. Press **AS/PS** button to stop any playback.
2. Press ◀◀ / ▶▶ button to select "**photo**" file listed.
3. Rotate volume knob to select ***.JPG** file to view or press **SEL** button to start play from first photo.
4. Press ▶▶ for next photo.
5. Press ◀◀ for previous photo.
6. Press **3 RPT** button repeatedly to select **Rep-1/Rep DIR/Rep ALL** repeatedly playback until press [A/PS] button.

Remote control:

Files search for stop mode:

1. **STOP** Press button to stop any playback.
2. Press (**▶**) button repeatedly to select "**photo**" file listed.
3. Press (**▲**, **▼**) button to select desired folder then press **OK** button to confirm.
4. Press (**▲**, **▼**) button to select desired JPG file then press **OK** button to start playback photo.
5. Press **SEEK+** **▶▶** for next photo.
6. Press **SEEK-** **◀◀** for previous photo.
7. Press **RPT** button repeatedly to select **Rep-1/Rep DIR/Rep ALL** repeatedly playback until press **STOP** button.

CD/MP3/WMA Music listening:

Unit:

Files search for stop mode:

1. Press **AS/PS** button to select media.
2. Press **◀◀ / ▶▶** button to select "**MUSIC**" file listed.
3. Rotate volume knob to select desired folder.
4. Rotate volume knob to select music file and press **SEL** button to playback or press **SEL** button to start play from first file.
5. Press **▶▶** for next file.
6. Press **◀◀** for previous file.
7. Press **1 ▶||** button for pause, press again for resume playback.
8. **CD playback only:** Press **INT** button to select INTRO or SEQ play, you can select **INTRO** to introducing play each file 10sec.
9. Press **3 RPT** button repeatedly to select **Rep-1/Rep DIR(MP3/WMA only)/Rep ALL/Rep OFF** to repeatedly playback.
10. Press **4 RDM** button to select **RANDOM ON/OFF** to random playback.

Remote control:

Files search for stop mode:

1. Press **STOP** button to stop any playback.
2. Press (**▶**) button repeatedly to select "**MUSIC**" file listed.
3. Press (**▲**, **▼**) button to select desired folder then press **OK** button to confirm.
4. Press (**▲**, **▼**) button to select desired file then press **OK** button to start playback music.
5. Press **SEEK+** **▶▶** for next file.
6. Press **SEEK-** **◀◀** for previous file.
7. Press **▶||** button for pause, press again for resume playback.
8. **CD playback only:** Press **INT** button to select INTRO or SEQ play, you can select **INTRO** to play each file for 10 sec.
9. Press **RPT** button repeatedly to select **Rep-1/ Rep DIR(MP3/WMA only)/Rep ALL/Rep OFF** repeatedly playback.
10. Press **RDM** button to select **RANDOM ON/OFF** to random playback.

Movie Playback:

Unit

Files search for stop mode:

1. Press **AS/PS** button to stop any playback.
2. Press **◀◀ / ▶▶** button to select "**Video**" listed .
3. Rotate volume knob to select movie file to playback or press **SEL** button to start play from first file.
4. Press **▶▶** for next file.
5. Press **◀◀** for previous file.
6. Press **3 RPT** button repeatedly to select **Rep-1/Rep DIR/Rep ALL/Rep OFF** repeatedly playback until press **AS/PS** button.

Remote control:

Files search for stop mode:

1. Press **Stop** button to stop any playback.
2. Press (**▶**) button repeatedly to select “**Video**” file listed.
3. Press (**▲**, **▼**) button to select desired folder then press **OK** to confirm.
4. Press (**▲**, **▼**) button to select desired movie file then press **OK** button to start playback.
5. Press **SEEK+** **▶▶** for next file.
6. Press **SEEK-** **◀◀** for previous file.
7. Press **RPT** button repeatedly to select **Rep-1/Rep DIR/Rep ALL/Rep OFF** repeatedly playback until the **STOP** button is pressed.

Stopping Playback

1. Press **STOP** on remote control during playback to stop playback. That position is stored in memory.
2. Press **▶▶** to continue. Playback starts from the track at which it was stopped.

Fast Forward / Fast Reverse

1. During playback, press and hold **◀◀** or **▶▶** . Unit scans at the speed of x2 - x4 - x8 - x16 - x20.
2. To resume normal playback at a desired point, press **▶▶** .

Note: No sound is come out during fast forward/fast reverse at over x2 high speed search.

Finding the Beginning of Tracks

During playback, press **◀◀** or **▶▶** .

◀◀ : Press to start playback from the beginning of the previous chapter or track.

▶▶ : Press to start playback from the beginning of the following chapter or track.

Pause Playback

During playback, press **▶▶** . Press again to resume playback.

A-B Repeat Playback

This feature allows you to loop playback a section of the movie/audio starting from Point A to B.

1. Press the **▶▶** button to play the movie/audio.
2. Once you have located the section you wish to playback on loop repeat, press and hold Remote’s **A-B** button. You will see “**REPEAT A-**” on the screen.
3. Let the movie/audio play on until you have reached the end of the section you wish to watch on continuous loop. Once you have reached this point, press and hold remote’s **A-B** button again. “**REPEAT A-B**” will appear on your screen. Playback will now start from Point A –B.
4. To stop A-B repeat playback, press and hold remote’s **A-B** button once more until “**A-B CANCEL**” disappears and normal playback resumes.

Displaying information (OSD) - video files only

During playback, you can see all information and current play settings. Display will show related, elapse time, title number, chapter number and other information.

Press **OSD** on the remote control once. Unit will display the disc elapse time.

USB / MEMORY CARD (SD/MMC) / AUX-IN PLAYBACK

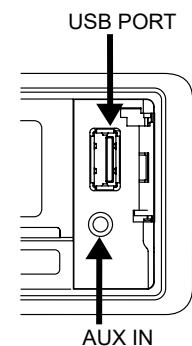
AUX IN

An external AV source (e.g. portable MP3 player) can be connected to the AUX IN socket to be played back by the vehicle loudspeakers.

1. Connect the AUX-IN socket with the AV output of the external device.

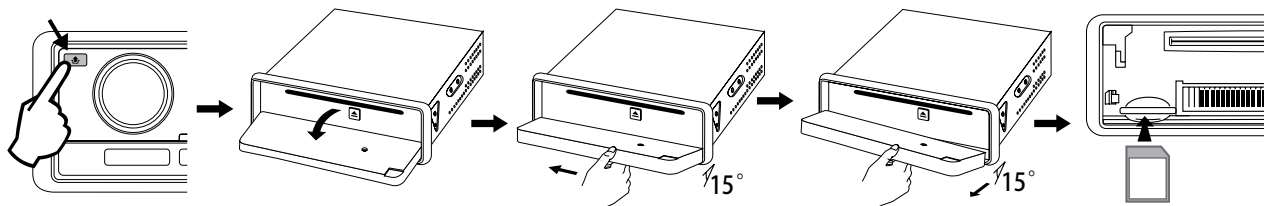
USB/Memory Card (SD/MMC)

The device is equipped with a USB interface and a memory card reader for SD/ MMC cards. MP3/WMA/AVI files stored on these media types can be played.



Note:

- Due to the great variety of devices with USB and SD/MMC card interfaces that sometimes have manufacturer-specific functions, we cannot guarantee that all media will be recognized and that all operational functions will be available with this device.
 - You cannot operate USB hard drives on the device.
 - It may be necessary to turn the flash memory ON so that it can be read.
1. Plug your USB storage medium into the USB port.
 2. If you use a memory card, insert it into the memory card reader.
 3. The player automatically switches to the input used and starts playback.
 4. See the section on operations common for audio / video files on how to control USB or memory card playback.



DVD/VCD PLAYBACK

Playback

1. Insert a disc. When the disc offers a menu, the menu is displayed. When a disc is already inserted, press **MODE** to switch to disc mode.
2. On DVD and VCD with playback control (PBC), menu screens may appear automatically. If this happens, perform the operation described below to start playback.

CAUTION: Make sure that the TV system settings is set correctly according to the disc that is playing. If you are not sure, leave it set to **“Auto”**. Improper setup of TV system might cause the video to stop/skip/pause playing although audio might continue to play. You can setup TV settings using the **SETUP** feature of the remote control. Refer to **“SETTING UP THE DVD PLAYER”** section.

DVD menu

Press **▲**, **▼**, **◀**, **▶** to select the desired item, then press **OK**.

VCD menu

Use the number keys (“0” to “9”) to select the desired number. The menu screen does not appear when the PBC function is turned off. In this case, press and hold button to turn on PBC feature.

Turning PBC ON/OFF (VCD only)

PBC (Playback Control) is a feature found on VCD 2.0 and SVCD 1.0. PBC allows control of the playback of play items and the possibility of interaction with the user through the remote control or some other input device available. If it's on, the player won't auto start after inserting the disc because it will take time to select program on disc; if it's off, the player will auto playback the program on disc one by one.

1. To turn ON PBC function, press **PBC** on the remote control. To turn OFF, press the button again.

Note:

- Not all VCD/SVCD disc have PBC functions.
- While playing VCD and PBC function is turned ON, Repeat / Intro / Random function will not work.

Repeat Playback

FOR VCD

1. Press **RPT** on the remote control during playback.
2. Every time you press this button, the unit switches to the following settings:

Repeat 1 – Repeat the current playback track.

Repeat Off – Turn OFF repeat function.

Note: PBC feature in VCD disc needs to be STOP in order to use Repeat playback.

FOR DVD

You can choose between repeat playback of a title or chapter.

1. Press **RPT** on the remote control during playback.
2. Every time you press this button, the unit switches to the following settings:

Repeat Title – Repeat the current playback title.

Repeat Chapter – Repeat the current playback chapter.

Repeat Off – Turn OFF repeat function.

Searching for particular track using GOTO

You can use the GOTO function to search for a desired track number or particular point of a track to play.

1. Press **GOTO** button on the remote control during playback. Press ◀ or ▶ button to select Title/Chapter, Time search appears.
2. Enter Title/Chapter for currently playback disc. press enter to confirm.
3. If you want to search by time, enter the time, minute and second then press enter to confirm.

Changing audio language during playback (Multi-audio)

Some DVD can provide audio playback with different languages and different systems (Dolby Digital... etc.). With DVD featuring multi-audio recordings, you can switch between languages/audio systems during playback.

VCD can provide different audio languages usually divided into left and right channels.

1. To choose different audio, simply press **AUDIO** button on the remote control repeatedly during playback.

Note:

- *With some DVDs, switching between languages/audio systems may only be possible using a menu display.*
- *You can also switch between languages/audio systems using SET-UP MENU or tap the screen then press Audio*

Changing the subtitle language during playback (Multi-subtitle)

With DVDs featuring multi-subtitle recordings, you can switch between subtitle languages during playback.

1. Press **SUBT** button on the remote control during playback. Press repeatedly until the supported desired subtitle appears.

Note:

- *With some DVDs, switching between subtitles may only be possible using a menu display.*
- *You can also switch between subtitles using SET-UP MENU or tap the screen then press Subtitle.*

Changing the viewing angle during playback (Multi-angle) – (DVD only)

With DVDs featuring multi-angle (scenes shot from multiple angles) recordings, you can switch among viewing angles during play-back.

1. Press and hold **ANGLE** button on the remote control during playback of a scene. Press **ANGLE** button repeatedly to select the desired angle to play.

Title (DVD only)

During DVD playback, Press **TITLE** button on remote control to return to FIRST title.

Return to Root Menu (DVD only)

During DVD playback, press **MENU** button to return to root menu.

Note: *Some DVDs may not contain root menu.*

Slow motion playback

This feature lets you slow down playback.

1. Press **SLOW** button on the remote control during playback.
2. Pressing it repeatedly will switch you to the following steps: 1/2 - 1/3 - 1/4 - 1/5 - 1/6 - 1/7.

Note:

- To resume normal playback, press **PLAY/PAUSE** (▶||).
- There is no sound during slow motion playback.
- With some disc, slow motion may be unclear during slow motion playback.

Zooming in During Playback

You can zoom in into the picture during playback.

1. Press **ZOOM** button on the remote control during playback.
2. Every time you press this button, the unit will zoom 2 - 3 - 4 - 1/2 - 1/3 - 1/4 times and OFF.

STEP (Frame by frame playback)

This lets you move ahead one frame at a time during playback.

Each time you press step button on remote control, you move ahead on frame. To return to normal playback, press ▶|| button.

PAL / NTSC

Press and hold **SYS** button to switch between PAL, NTSC system.

Return / Go Back

Press **MENU** button on remote control to go back one level or return to previous menu.

CUSTOMIZING SOUND SETTINGS

1. Press **SEL** button to enter AUDIO setup. Selected item will be highlighted. You can set BASS, TREBLE, BALANCE, FADER.
2. Rotate **VOL** knob to make adjustments.
3. Press **SEL** button to select BASS, TREBLE, BALANCE, FADER and exit settings.

SETTING THE DVD PLAYER

You can flexibly customize the unit to suit your preference. You can set the language and other video and audio settings so when playback starts it will always use your preferred settings.

Important:

1. Play any video file before you can access the setup.
2. Press **SETUP** button on the remote control.
3. Used **▲, ▼, ◀, ▶** to select DVD to return/enter setup category.

Settings	Category	Options
SYSTEM SETUP	TV SYSTEM	NTSC, PAL, AUTO
	AUTO PLAY	ON/OFF
	TV TYPE	4:3PS, 4:3LB, 16:9
	PASSWORD	Setup password
	RATING	Setup rating level
	DEFAULT	Restore to factory settings
LANGUAGE SETUP	OSD Language	Select preferred options on screen
	AUDIO Language	
	SUBTITLE Language	
	MENU Language	
	MPEG4 Language	
VIDEO SETUP	BRIGHTNESS	Select preferred options on screen
	CONTRAST	
	HUE	
	SATURATION	
	SHARPNESS	

Setting Rating Password

1. Press **SETUP** button on the remote control.
2. Using Navigation keys select *System Setup > Password* and press **OK** button.
3. Enter the default password '0000' and press **OK** button to unlock first and then enter new 4 digit password and press **OK** button. The unlock logo will switch to lock indicating password has been set.

Note:

- The default password is '0000'.

Supported Video Format					
File Extension	Container	Video Codec	Audio Codec	Resolution	Remark
.avi .divx	AVI	DivX 3.xx DivX 4.xx DivX 5.xx DivX 6.xx XviD MPEG-1	Dolby Digital (AC3) WMA/PCM/LPCM MPEG-Audio (MP1/MP2/MP3)	720 x 480 (30fps)	
.mpg	MPG	MPEG-1 MPEG-2	LPCM MPEG-Audio (MP1/MP2/MP3)	720 x 576 (30fps)	
.dat	DAT	MPEG-1 MPEG-2	LPCM MPEG-Audio (MP1/MP2/MP3)	352 x 240 (30fps)	
.vob	VOB	MPEG-1 MPEG-2	Dolby Digital (AC3)	720 x 480 (30fps)	
Supported Audio Format					
File Extension	Audio Codec	Bit Rate	Sampling Rate	Remark	
.mp3	MP3	16kbps - 320kbps	8k - 48kHz		
.wma	WMA	16kbps - 320kbps	8k - 48kHz	WMA only support WMA7/ WMA8/WMA9 (CBR/VBR) (Only support 353 format)	

Note: Reading the above file formats is not guaranteed.

HOW TO USE BLUETOOTH IN YOUR STEREO

Pairing

Before your mobile phone can communicate with the stereo, you must first complete the pairing procedure to connect them together.

1. Press **MODE** button on main unit/remote control until “BT” or “BT AUDIO” is shown on LCD Display.
2. Turn on Bluetooth function of your mobile phone, then select “add Bluetooth device” from your mobile phone; the mobile phone will search any activated Bluetooth devices nearby, select “**Furrion DV5700**” and enter Passkey “**0000**” to connect (refer to manual of your mobile phone for detail if needed).
3. After this pairing process is successfully completed, connect your mobile phone with the stereo, a Bluetooth logo will appear on mobile phone’s notification bar.

Note: “Furrion DV5700” is the Bluetooth device name of this stereo.

Audio Streaming

If your mobile phone supports **A2DP** profile, the music playback can be streamed to the stereo.

1. Make sure your mobile phone and stereo are properly paired and connected.
2. Play music on your mobile phone.
3. “**BT AUDIO**” will be shown on LCD Display of stereo, music is streamed to the stereo.
4. You can press **◀** or **▶** button on main unit to select previous or next track/file in mobile phone.

Making Call

Important: Before you make a call, make sure your mobile phone and stereo are properly paired and connected.

1. Press **MODE** button on main unit/remote control until BT or BT AUDIO is shown on LCD Display.
2. Press and hold **INT** button on main unit/remote control to go to previous menu, then “BT” will be shown on LCD Display.
3. Press **◀** button on main unit to select “DIAL”, press and hold **SEL** button on main unit/remote control to enter “KEYPAD”.
4. To make a call via remote control, tap number buttons and press “**☎**” button on main unit/remote control to dial.
5. Press “**☎**” button on main unit/remote control to hang up.

Answering/Rejecting/Hanging Up Call

1. To answer an incoming call, press “**☎**” button on main unit/remote control. To reject an incoming call, just press “**☎**” button on main unit/remote control.
2. After you have finished the conversation, press “**☎**” button on main unit/remote control to hang up.

History

History contains the lists of dialed, received and missed calls.

1. Press **MODE** button on main unit/remote control until “BT” or “BT AUDIO” is shown on LCD Display.
2. Press and hold **INT** button on main unit/remote control to go to previous menu, then “BT” will be shown on LCD Display.
3. Press **◀** button on main unit to select “HISTORY”, press and hold **SEL** button on main unit/remote control to enter “CALL LOG”.
4. Press **◀** or **▶** button on main unit to select the number, then press “**☎**” button on main unit/remote control to dial.

TECHNICAL SPECIFICATIONS

DVD PLAYER SYSTEM

Signal to Noise Ratio	> 60 dB
Channel Separation	> 50 dB (1kHz)
Frequency Response	20 Hz - 20 kHz

FM RADIO

Frequency Range	87.5-107.9 MHz (USA) 87.5-108 MHz (AUSTRALIA)
Channel Step	200 kHz (USA) 100 kHz (AUSTRALIA)
Sensitivity	2.8 μ V
Stereo Separation	30 dB
Signal to Noise Ratio	50 dB

AM RADIO

Frequency Range	530-1710 kHz (USA) 522-1710 kHz (AUSTRALIA)
Channel Step	10 kHz (USA) 9 kHz (AUSTRALIA)
Usable Sensitivity	32 dB

AUDIO/VIDEO OUTPUT

Output	750 mV
Impedance	10k Ohm

GENERAL

Power Supply	12V DC (10.8-15.6V allowable)
Speaker Impedance	4 or 8 ohm
Output power	45W x 4CH
Fuse	10A

Note: Specification and the design are subject to possible modification without notice due to improvements.

FCC ID: 2ABH3-DV5XXX

Note: This equipment has been tested and found to comply with the limits for a Class B digital device, pursuant to part 15 of the FCC Rules. These limits are designed to provide reasonable protection against harmful interference in a residential installation. This equipment generates uses and can radiate radio frequency energy and, if not installed and used in accordance with the instructions, may cause harmful interference to radio communications. However, there is no guarantee that interference will not occur in a particular installation. If this equipment does cause harmful interference to radio or television reception, which can be determined by turning the equipment off and on, the user is encouraged to try to correct the interference by one or more of the following measures:

- Reorient or relocate the receiving antenna.
- Increase the separation between the equipment and receiver.
- Connect the equipment into an outlet on a circuit different from that to which the receiver is connected.
- Consult the dealer or an experienced radio/TV technician for help.

Changes or modifications not expressly approved by the party responsible for compliance could void the user's authority to operate the equipment. This device complies with Part 15 of the FCC Rules. Operation is subject to the following two conditions:

- (1) this device may not cause harmful interference, and
- (2) this device must accept any interference received, including interference that may cause undesired operation.



Correct Disposal of this product. This marking indicates that this product should not be disposed with other household wastes throughout the EU. To prevent possible harm to the environment or human health from uncontrolled waste disposal, recycle it responsibly to promote the sustainable reuse of material resources. To return your used device, please use the return and collection systems or contact the retailer where the product was purchased. They can take this product for environmental safe recycling.



FURRION

Furrion Innovation Center & Institute of Technology

• 52567 Independence Ct., Elkhart, IN 46514, USA • Toll free:1-888-354-5792

©2007-2018 Furrion Ltd. Furrion® and the Furrion logo are trademarks licensed for use by Furrion Ltd.
and registered in the U.S. and other countries.

FURRION.COM

IM-FAV00020 V6.0