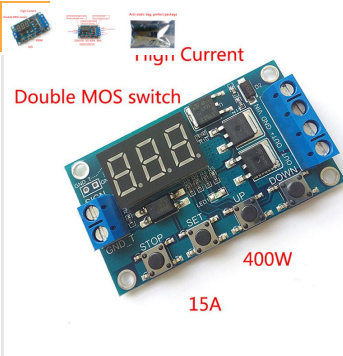


I'm shopping for...



0



Trigger Cycle Timing Delay Switch Circuit Double MOS Tube Control Board Instead Of The Relay Module 12V 24V

Price: **US \$3.33** / piece

Seller Guarantees: ships out within 5 business days

On-time Delivery 75 days

This is a snapshot of the product taken when the order was placed. [View current product](#)

CN

[Visit Store](#)

[Add to My Favorite Stores](#)

Product Details

Item specifics

Brand Name:None

Voltage:5--36V.

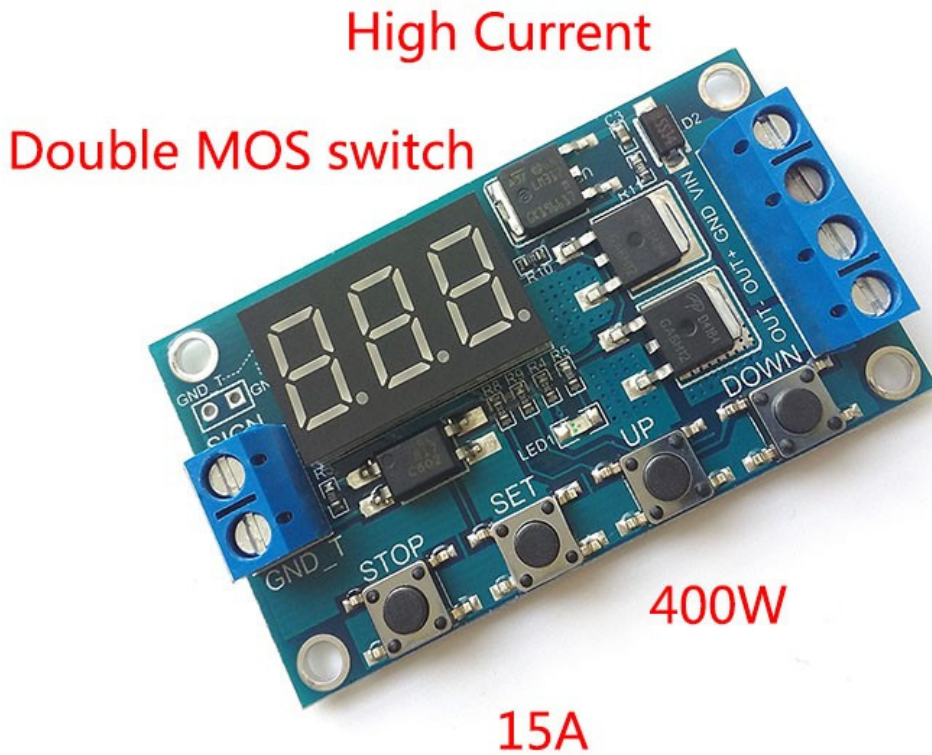
Power Source:DC

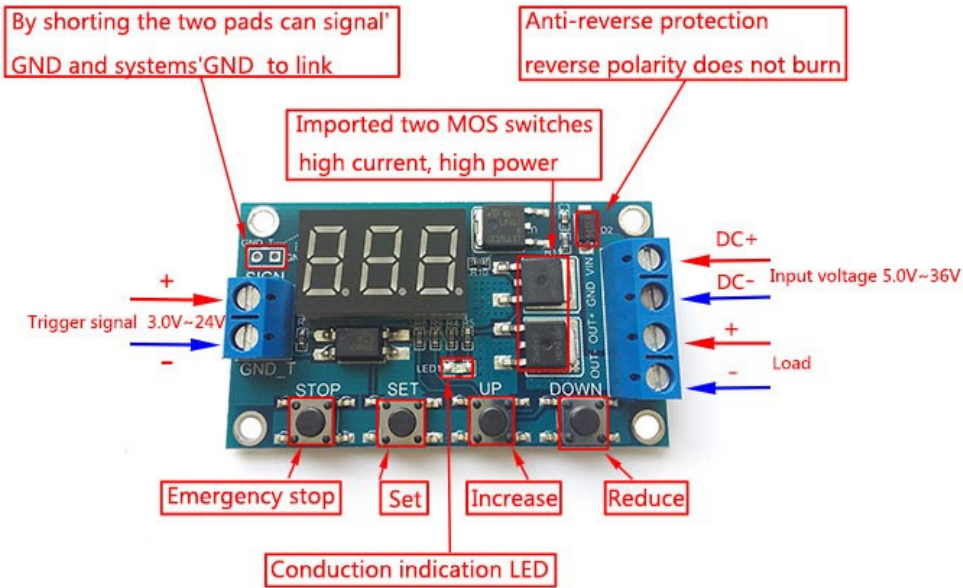
Theory:Time Relay

Model Number:Trigger Cycle Board

Product Description

Trigger, cycle, timing, delay switch circuit, double MOS tube control board instead of the relay module, 12V 24V 0.1 seconds (min) to 999 minutes (max) continuously adjustable.





Anti-static bag, perfect package



This product is easy to use, many functions, but all buyers need to carefully read the instructions, very useful product.

Module characteristics and uses:

1. To achieve fast turn-on and off the circuit, an unlimited number of switching;
2. Conducting and cutting process does not produce noise, no spark, no electromagnetic interference;
3. Compared with electromagnetic relay products, longer life;
4. The dual-MOS parallel drive, lower resistance, more current, strong power; at room temperature, operating current of up to 15A, power up to 400W, to meet the most use of the equipment;
5. A method for controlling the motor, lights, LED, DC motors, micro-pumps, solenoid valves, etc., very convenient.

Highlights:

1. Wide voltage input (5 ~ 36V), most devices can be used, very convenient;
2. The interface is clear and simple, powerful, easy to understand, meet almost all your needs;
3. The emergency stop function ("STOP" key); With reverse polarity protection, reverse polarity will not burn the product.
4. Increase the sleep mode, if this mode is enabled, without any operation within 5 minutes, then automatically turn off the monitor, any key wake-up;
5. You can set a different OP, CL, LOP parameters, which are independent of each other, and are automatically saved;
6. After the module is powered down, all parameter settings are not lost.

Operating mode:

P1: trigger signal, the relay is on "OP" time, and then disconnect; in the "OP" time, as follows:

P1.1: signal is triggered again, invalid

P1.2: signal is triggered again, the clock is reset

P1.3: Signal trigger again, relay off, stop the clock;

P-2: trigger signal, the relay off "CL" of time, the relay on "OP" time, and then disconnect relay;

P3.1: trigger signal, the relay is turned on after the "OP" time, the relay off "CL" time, then the operation cycle, if the trigger signal period, the relay off, stop the clock; the number of cycles ("LOP ") can be set.

P3.2: without triggering signal, the relay is on "OP" time, the relay off "CL" time, and has been cycling; frequency ("LOP") cycle can be set;

P-4: signal holding function. If there is a trigger signal timing is cleared, the relay remains on; when the signal disappears, after the timing "OP" time, the relay is; if another signal during timing, timing is cleared;

Product parameters:

1: Operating voltage: 5--36V.

2: Trigger Source: Active-high (3.0V-24V), have optocoupler isolation, can improve the system's anti-jamming capability (customers can also shorting common ground).

3: Output capacity: DC 5V - 36V, at room temperature, continuous current 15A, power 400W! Enhance heat dissipation conditions, the maximum current up to 30A.

4: Quiescent Current: 20mA; Operating Current: 50mA

5: Life: any switching times; Working temperature: -40-85 °C; Size: 6.0*3.4*1.2cm.

6: With optocoupler isolation, enhanced anti-jamming capability, industrial grade board.

Pay attention:

1. The module is an active output, the output voltage equal to the input voltage.

2.'DC + 'and' load + 'This is an internal short circuit of the poles, but' DC- 'and' load - 'poles during use can not be shorted, otherwise the load can not be controlled on and off, which is equivalent load is been carrying electricity.

weight : 17g

Timing range

0.1 seconds (min) to 999 minutes (max) continuously adjustable

How to choose the time range?

After setting the mode selection screen parameter value by a short press "STOP" button to select the time range;

XXX. decimal point in the unit place, time range: 1 second to 999 seconds.

XX. X decimal point in decade place, Timing range: 0.1 seconds to 99.9 seconds

X. X. X. decimal full brightness, Timing range: 1 minute to 999 minutes.

For example, you want to set "OP" is 3.2 seconds, then move the decimal point to decade place, the digital display 03.2

Parameter description: "OP" - conduction time, "CL" - off time, "LOP" - the number of cycles (1-999 times, "---" represents infinite loop).

These parameters are independent of each other, but is shared by each mode. For example, in P1.1 mode, set the on-time "OP" is 5 seconds, if you switch to P1.2 mode, it's "OP" will be 5 seconds too.

In the main interface (display 000), short press "SET" button will display "OP" ("CL", "LOP") and the corresponding time XXX;

Some parameters only mode "OP" (such as the mode P1.1, P1.2, P1.3), short press the "SET" key to display only the "OP" and the corresponding time;

Some models have parameters "OP", "CL", "LOP" (such as the mode P3.1, P3.2), short press "SET" button will display "OP" and the corresponding time, "CL" and the corresponding time, "LOP" and the corresponding number of times;

In the main interface by short press "SET" key to see information about the parameters of the current mode, very convenient!

How to set parameters?

1. First, read the instructions to determine the required operating mode.

2. The module is powered up, the display at the current work mode (P1.1 default mode), then enter the main interface; press "SET" button for 2 seconds after release to enter mode selection interface; a short time by pressing "UP", "DOWN" key to select the mode (P1.1 ~ P-4).

3. Select the mode (such as P3.2), short press the "SET" button, then the parameter to be set flashes ("OP" on-time, "CL" off time, "LOP" cycles ("---" represents infinite loop)), by "UP", "DOWN" keys to adjust the parameter value, support long press (rapid increase or decrease) and short press (increase or decrease one unit); then short press the "STOP" key to select the decimal point position, select the time range (0.1 seconds to 999 minutes); short press the "SET" button to set the next parameters of the current mode of procedure is as above.

4. After the parameters are set, long press "SET" button for 2 seconds then release, the name of the current mode will flash once, and then return to the main screen, set the parameters of success!

The main interface: In the relay does not work status display "000" (no decimal point), with a decimal point under relay state.

Mode selection screen: Long press the "SET" key to enter, after setting is completed, long press the "SET" key to exit back to the main screen.

"STOP" button extensions:

Relays enable mode:

1. ON: Relay allows conduction in the "OP" on-time;

2. OFF: relay prohibit conduction is always closed;

In the main interface, short press the "STOP" button to switch between ON and OFF, the current in which the state will flash, and then return to the main screen. (This feature is an emergency stop function, click off the relay)

Sleep mode:

1. "C-P" Sleep mode: five minutes without any operation, the digital display automatically turns off, the program running as usual;

2. "O-d" normal mode: digital display always open;

Press the "STOP" button for two seconds and then release to switch "C-P" and "O-d" state, in which the current state of flashes and then return to the main screen.

Packaging Details

Unit Type:piece

Package Weight:0.03kg

Package Size:15cm x 12cm x 10cm

Help

[Customer Service](#), [Disputes & Reports](#), [Buyer Protection](#), [Report IPR infringement](#)

AliExpress Multi-Language Sites

[Russian](#), [Portuguese](#), [Spanish](#), [French](#), [German](#), [Italian](#), [Dutch](#),
[Turkish](#), [Japanese](#), [Korean](#), [Thai](#), [Vietnamese](#), [Arabic](#), [Hebrew](#),
[Polish](#)

Browse by Category

[All Popular](#), [Product](#), [Promotion](#), [Low Price](#), [Great Value](#), [Reviews](#), [Blog](#), [Seller Portal](#), [BLACK FRIDAY](#), [AliExpress Assistant](#)

Alibaba Group

[Alibaba Group Website](#), [AliExpress](#), [Alimama](#), [Alipay](#), [Fliggy](#),
[Alibaba Cloud](#), [Alibaba International](#), [AliTelecom](#), [DingTalk](#), , ,
[Tmall](#), [Taobao Global](#), [AliOS](#), [1688](#)

[Google Play](#)

[App Store](#)

[Intellectual Property Protection](#) - [Privacy Policy](#) - [Sitemap](#) - [Terms of Use](#) - [Information for EU consumers](#) - [User Information Legal Enquiry Guide](#) ©2010-2021 AliExpress.com. All rights reserved.